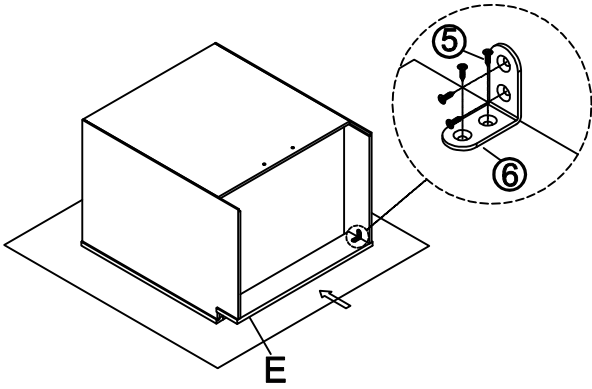


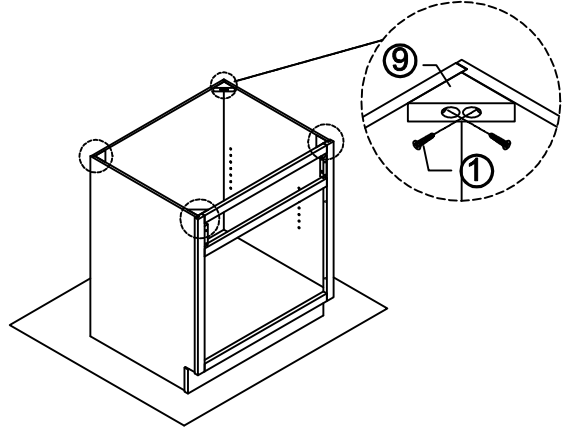
## Base Cabinet Assembly Instruction (Item: SB33-SB42 / V2421-V36)

Hard Ware List	1   6PCS   Ø4×25mm	2   8PCS   Ø4×16mm	3   4PCS   Ø4×19mm	4   4PCS   1-1/4"	5   40PCS   Ø4×12mm	6   10PCS	9   4PCS   60°60°18	10   12PCS   Ø4×22mm				
	Flat head screw	Flat head screw	Round head screw	Hinge	Flat head screw	Corner brackets	Corner block	Flat head screw				
Cabinet Parts List	A	Frame	B	Side panels(2)	C	Bottom panel	D	Back panel	E	Toe kick	G	Door(2)
	H	Drawer front										

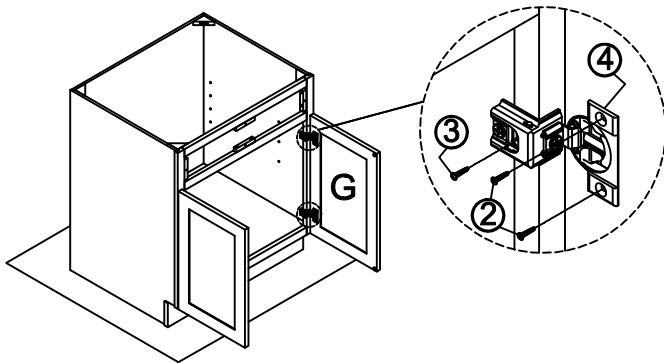
Step6:



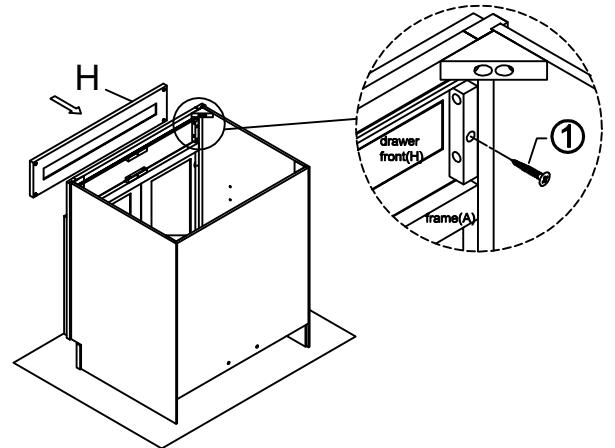
Step7:



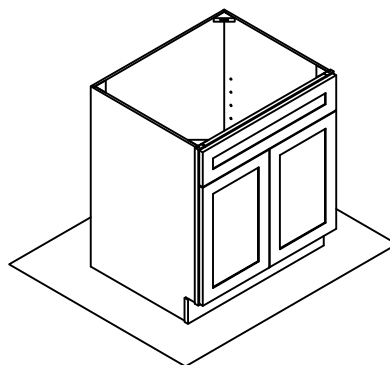
Step8:



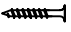





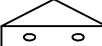
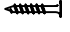
Step9:



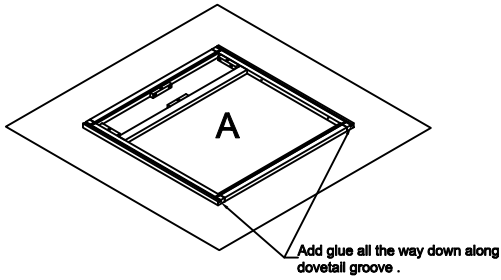
Step10:



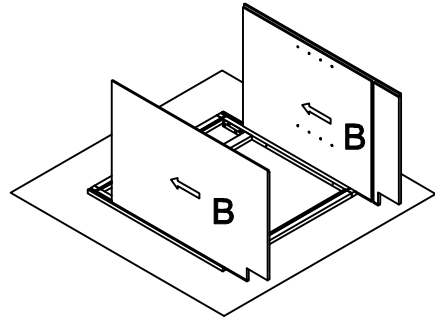
## Base Cabinet Assembly Instruction (Item:SB24-SB48/V2421-V3621)

Hard Ware List	1   6PCS   Ø4×25mm	2   8PCS   Ø4×16mm	3   4PCS   Ø4×19mm	4   4PCS   1-1/4"	5   40PCS   Ø4×12mm	6   10PCS	9   4PCS   60°60°18	10   12PCS   Ø4×22mm				
	Flat head screw	Flat head screw	Round head screw	Hinge	Flat head screw	Corner brackets	Corner block	Flat head screw				
												
Cabinet Parts List	A	Frame	B	Side panels(2)	C	Bottom panel	D	Back panel	E	Toe kick	G	Door(2)
	H	Drawer front										

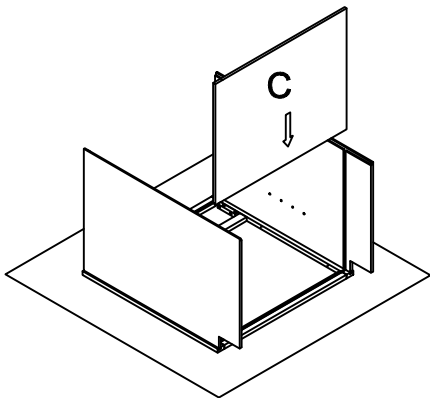
Step1:



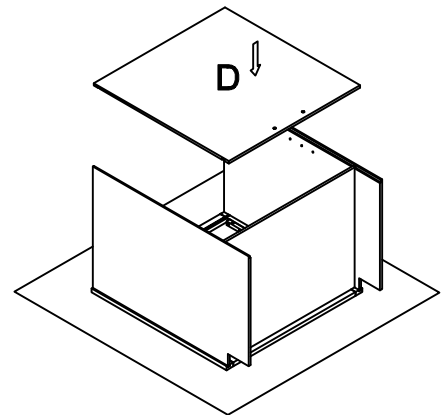
Step2:



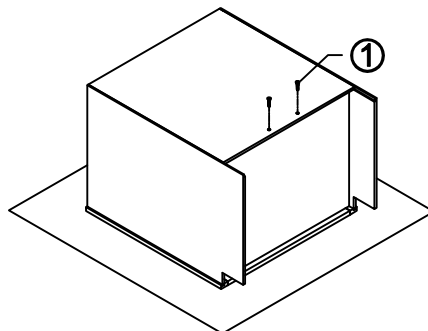
Step3:



Step4:



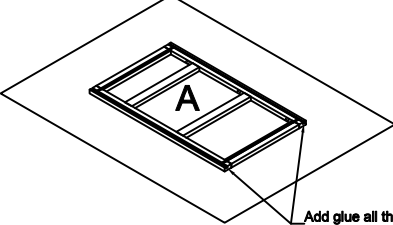
Step5:



## Base Cabinet Assembly Instruction (Item: DB12-DB36 VDB1221-3 -VDB2121-3)

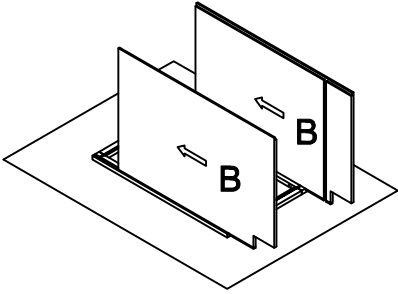
Hard Ware List	1   10PCS   Ø4×25mm	5   16PCS   Ø4×12mm	6   4PCS	8   3SET	9   4PCS   60°60°18	10   12PCS   Ø4×22mm						
	Flat head screw	Flat head screw	Corner brackets	Slide	Corner block	Flat head screw						
Cabinet Parts List	A	Frame	B	Side panels(2)	C	Bottom panel	D	Back panel	E	Toe kick	H	Drawer front(3)
	I	Drawer front panel (3)	J	Drawer back panel (3)	K	Drawer side panel(6)	L	Drawer bottom panel (3)				

**Step1:**

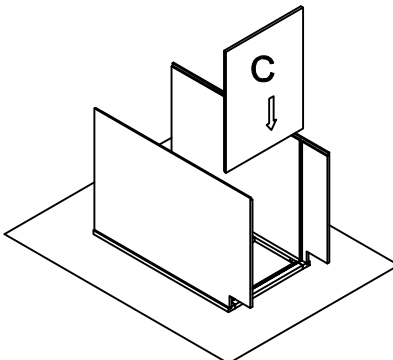


Add glue all the way down along dovetail groove .

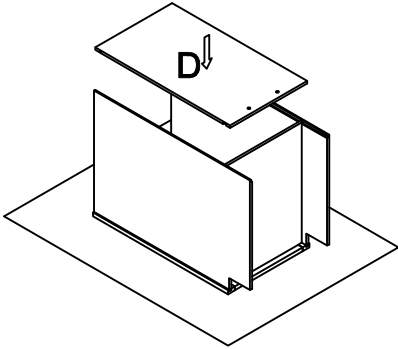
**Step2:**



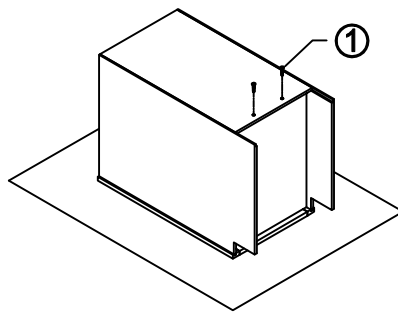
**Step3:**



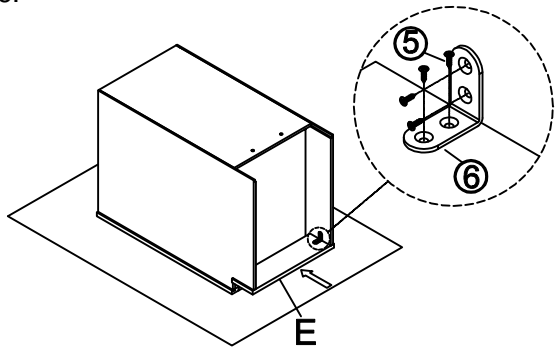
**Step4:**



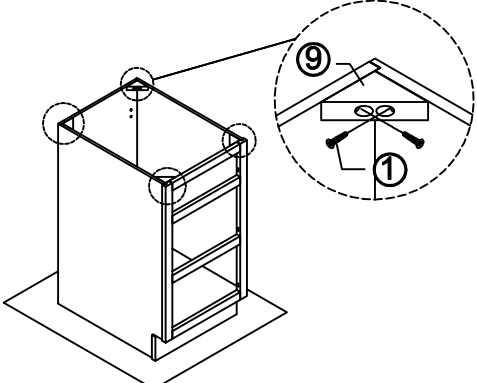
**Step5:**



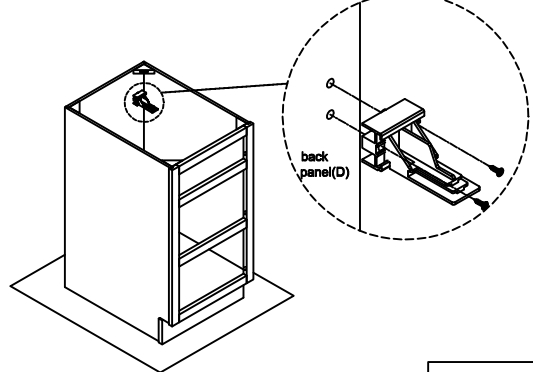
**Step6:**



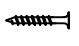




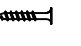
**Step7:**



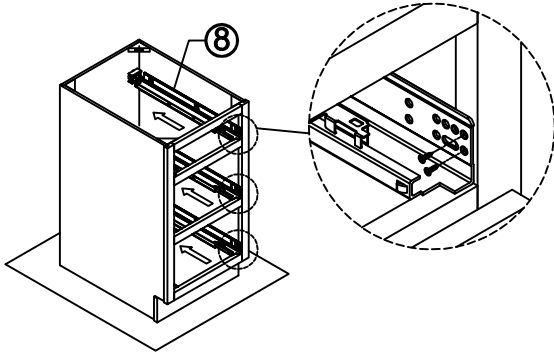
**Step8:**



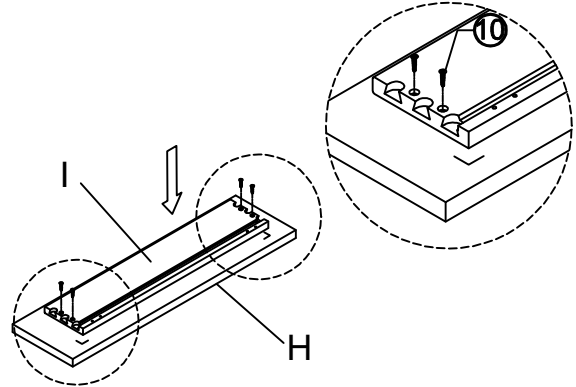
## Base Cabinet Assembly Instruction (Item:DB12-DB36/VDB1221-3-VDB3621-3)

Hard Ware List	1   10PCS   Ø4×25mm	5   16PCS   Ø4×12mm	6   4PCS	8   3SET	9   4PCS   60°60°18	10   12PCS   Ø4×22mm						
	Flat head screw	Flat head screw	Corner brackets	Slide	Corner block	Flat head screw						
												
Cabinet Parts List	A	Frame	B	Side panels(2)	C	Bottom panel	D	Back panel	E	Toe kick	H	Drawer front(3)
	I	Drawer front panel (3)	J	Drawer back panel (3)	K	Drawer side panel(6)	L	Drawer bottom panel (3)				

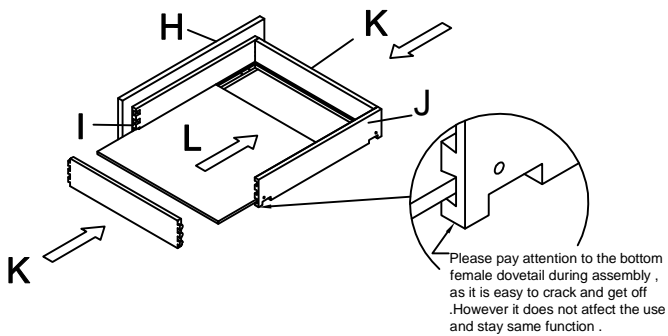
Step9:



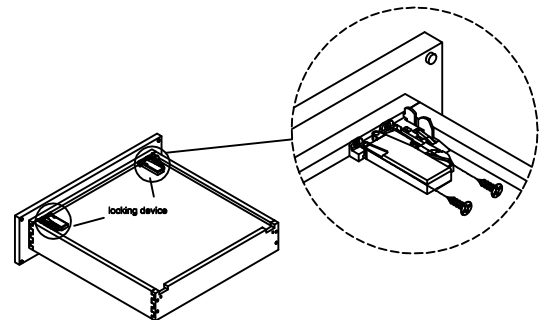
Step10:



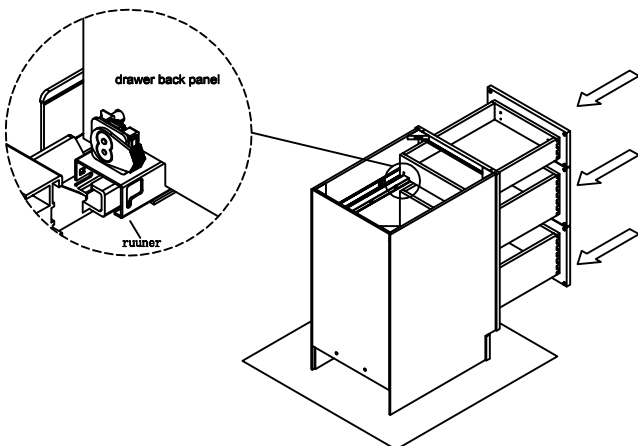
Step11:



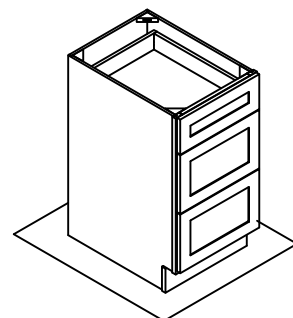
Step12:



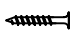








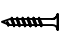
Step13:



Step14:

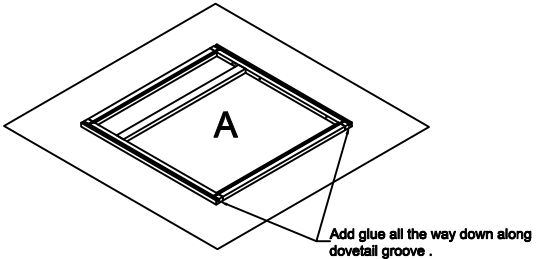


## Base Cabinet Assembly Instruction (Item: B24-B33)

Hard Ware List	1   10PCS   Ø4×25mm	2   8PCS   Ø4×16mm	3   4PCS   Ø4×19mm	4   4PCS   1-1/4"	5   16PCS   Ø4×12mm	6   4PCS	7   4PCS   Ø8mm	8   1SET
	Flat head screw	Flat head screw	Round head screw	Hinge	Flat head screw	Corner brackets	Shelf clips	Side
								
9   4PCS   60°60°18	10   6PCS   Ø4×22mm							
Corner block	Flat head screw							
								

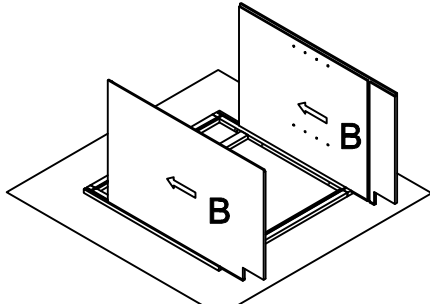
Cabinet Parts List	A	Frame	B	Side panels(2)	C	Bottom panel	D	Back panel	E	Toe kick	F	Adjustable shelf
	G	Door	H	Drawer front	I	Drawer front panel	J	Drawer back panel	K	Drawer side panel(2)	L	Drawer bottom panel

**Step1:**

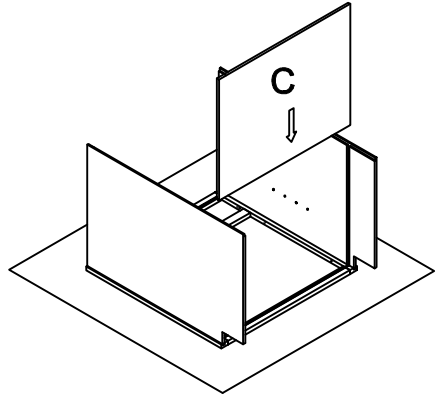


Add glue all the way down along dovetail groove .

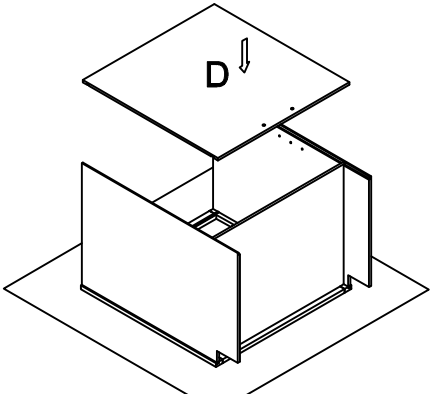
**Step2:**



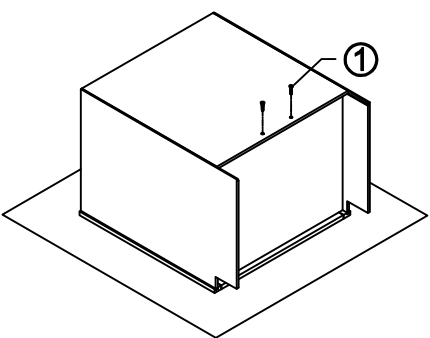
**Step3:**



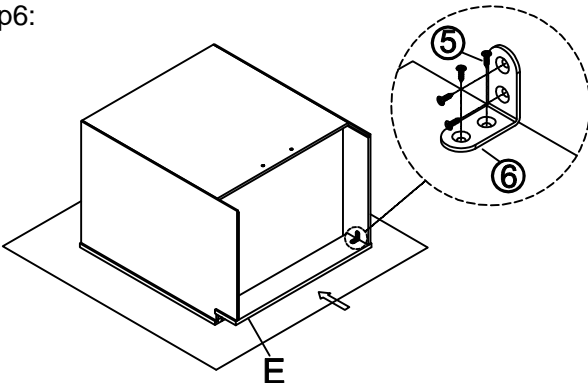
**Step4:**



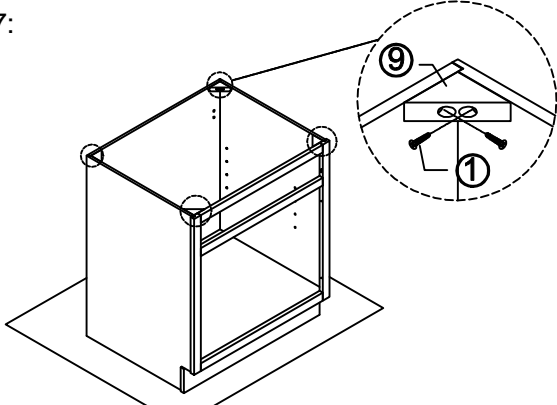
**Step5:**



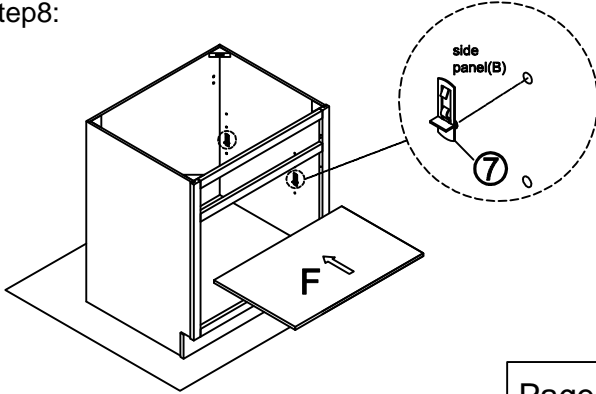
**Step6:**




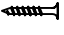
**Step7:**



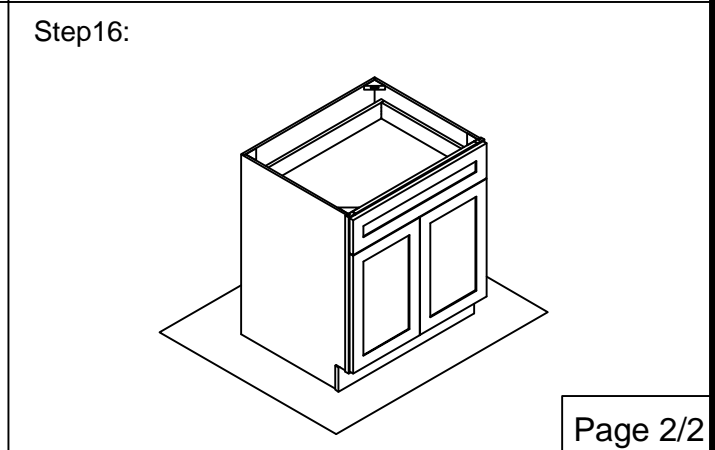
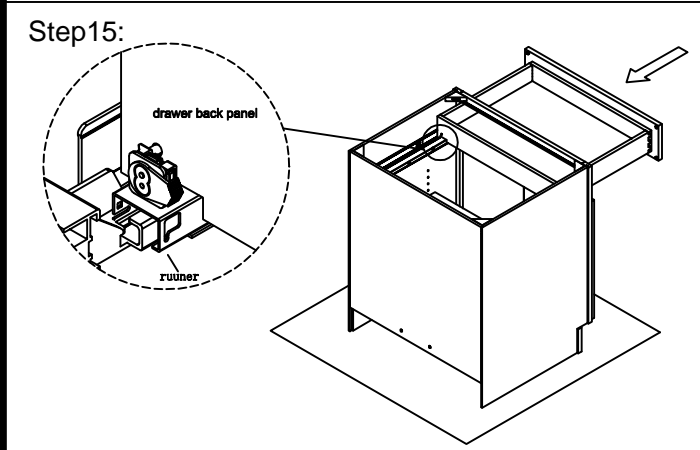
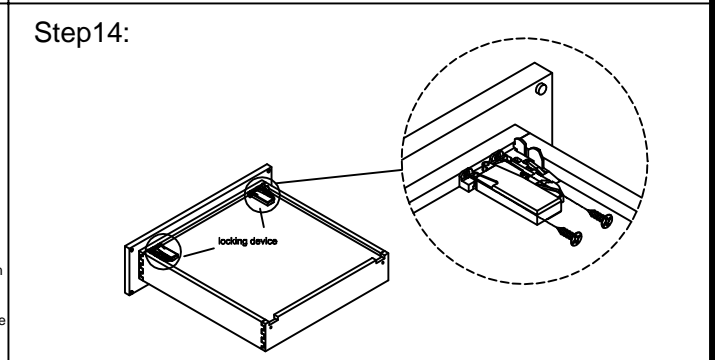
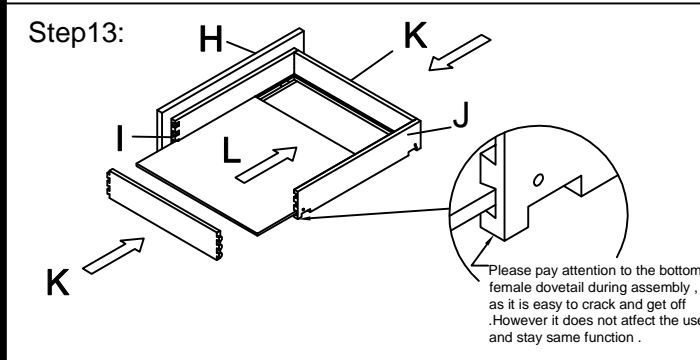
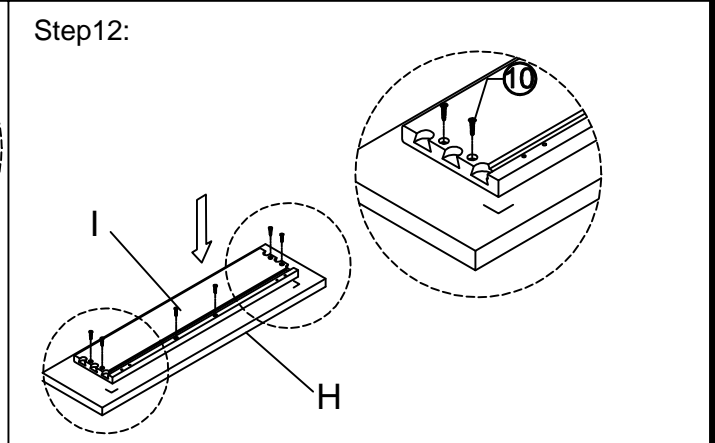
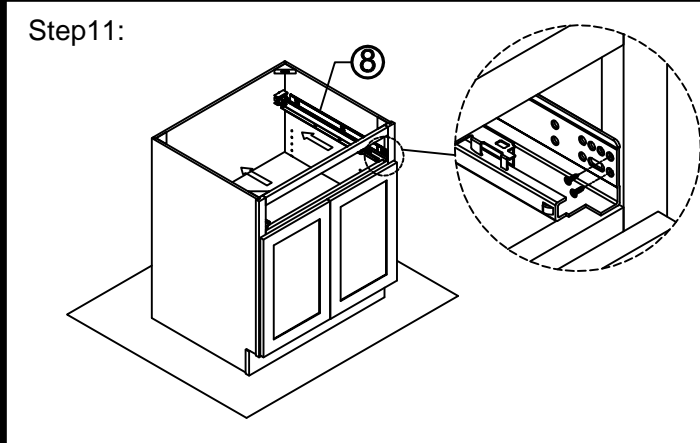
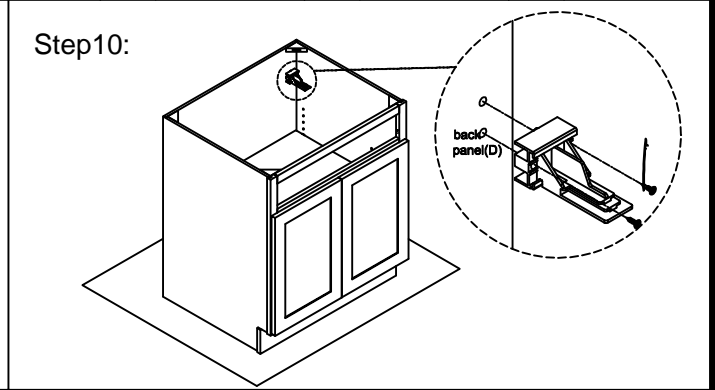
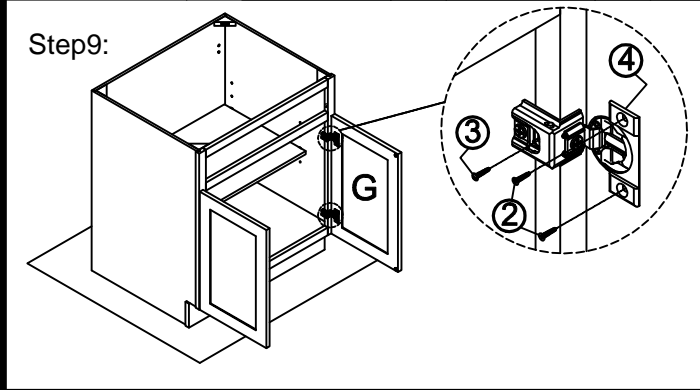
**Step8:**



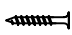








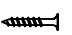
## Base Cabinet Assembly Instruction (Item: B24-B33)

Hard Ware List	1   10PCS   Ø4×25mm Flat head screw	2   8PCS   Ø4×16mm Flat head screw	3   4PCS   Ø4×19mm Round head screw	4   4PCS   1-1/4"   Hinge	5   16PCS   Ø4×12mm Flat head screw	6   4PCS   Corner brackets	7   4PCS   Ø8mm Shelf clips	8   1SET   Side	
	9   4PCS   60°60°18 Corner block	10   6PCS   Ø4×22mm Flat head screw							
									

Cabinet Parts List	A	Frame	B	Side panels(2)	C	Bottom panel	D	Back panel	E	Toe kick	F	Adjustable shelf
	G	Door	H	Drawer front	I	Drawer front panel	J	Drawer back panel	K	Drawer side panel(2)	L	Drawer bottom panel

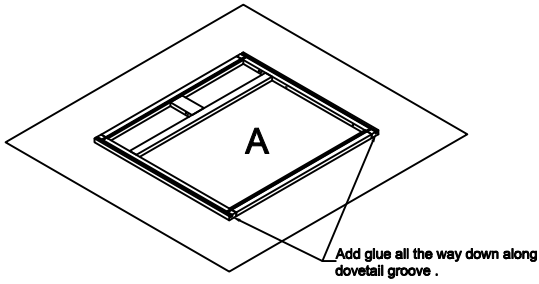


## Base Cabinet Assembly Instruction (Item: B36)

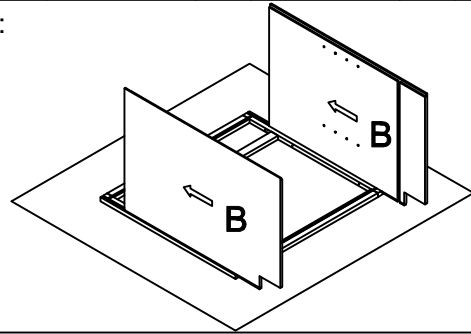
Hard Ware List	1   10PCS   Ø4×25mm	2   8PCS   Ø4×16mm	3   4PCS   Ø4×19mm	4   4PCS   1-1/4"	5   16PCS   Ø4×12mm	6   4PCS	7   4PCS   Ø8mm	8   2SET
	Flat head screw	Flat head screw	Round head screw	Hinge	Flat head screw	Corner brackets	Shelf clips	Side
								
	9   4PCS   60°60°18	10   8PCS   Ø4×22mm						
	Corner block	Flat head screw						
								

Cabinet Parts List	A	Frame	B	Side panels(2)	C	Bottom panel	D	Back panel	E	Toe kick	F	Adjustable shelf
	G	Door	H	Drawer front	I	Drawer front panel	J	Drawer back panel	K	Drawer side panel(2)	L	Drawer bottom panel

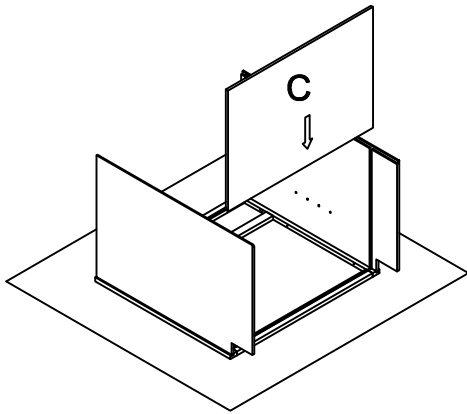
Step1:



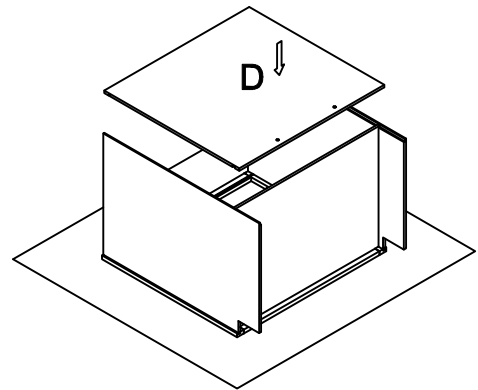
Step2:



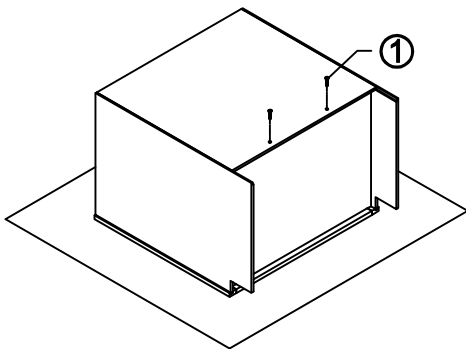
Step3:



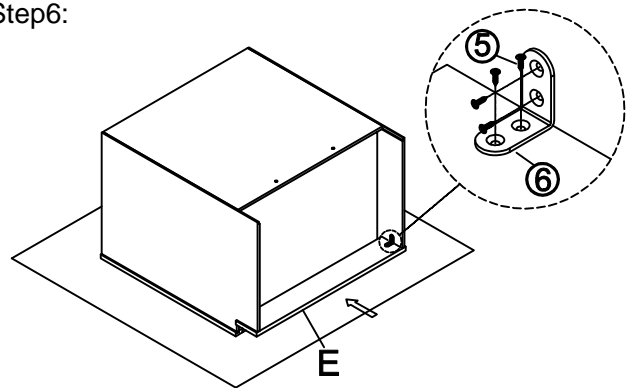
Step4:



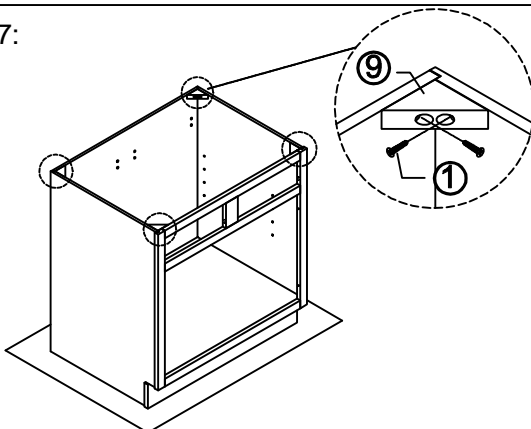
Step5:



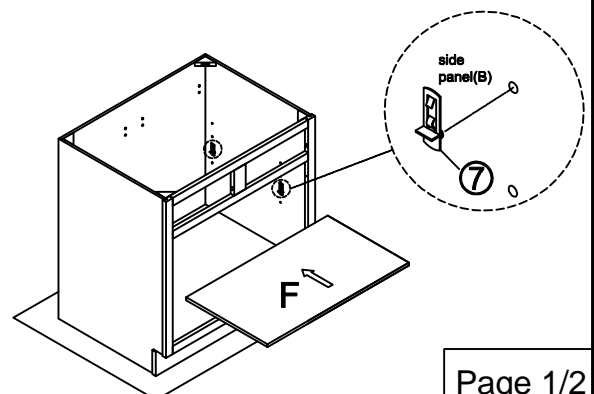
Step6:



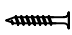





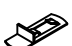


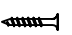
Step7:



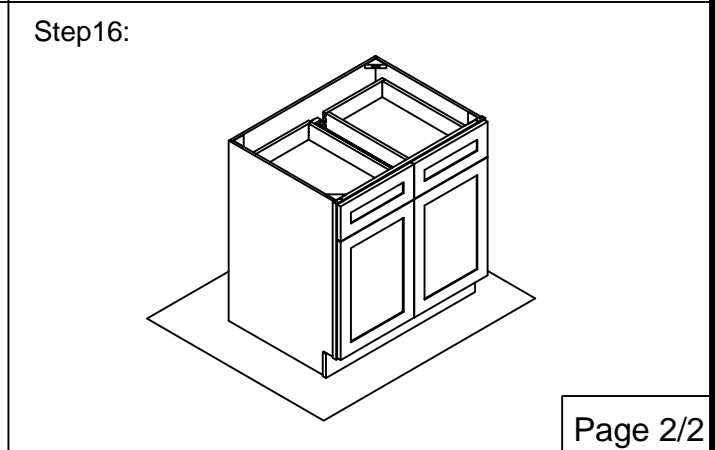
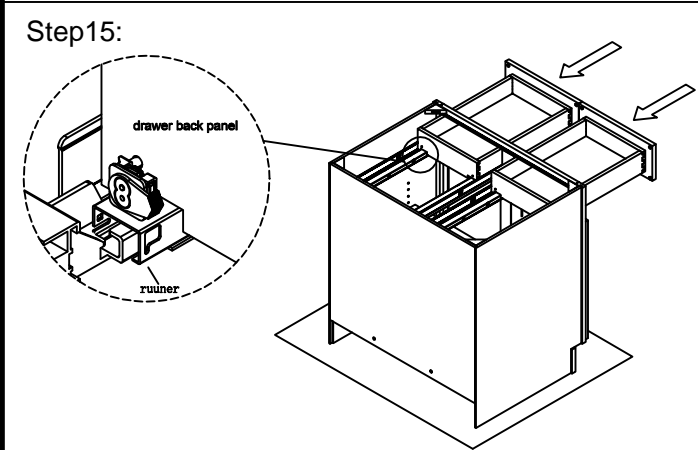
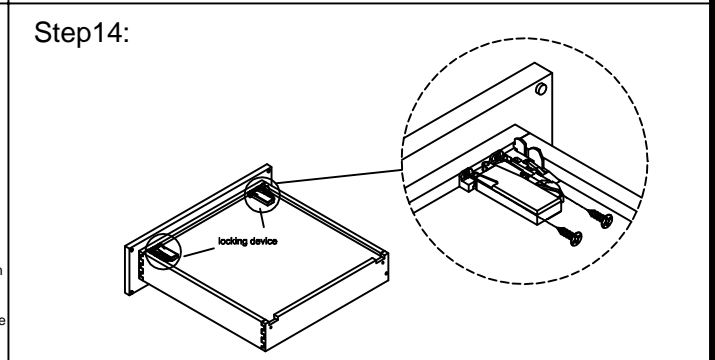
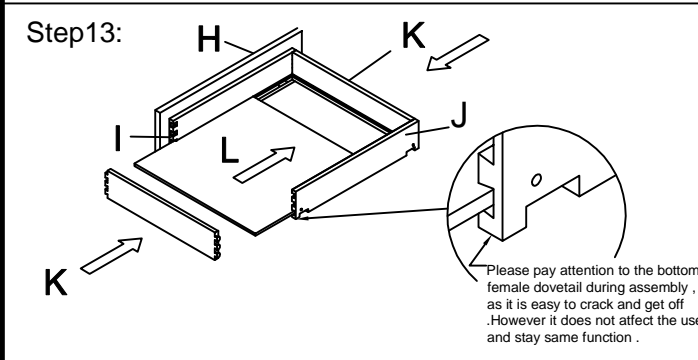
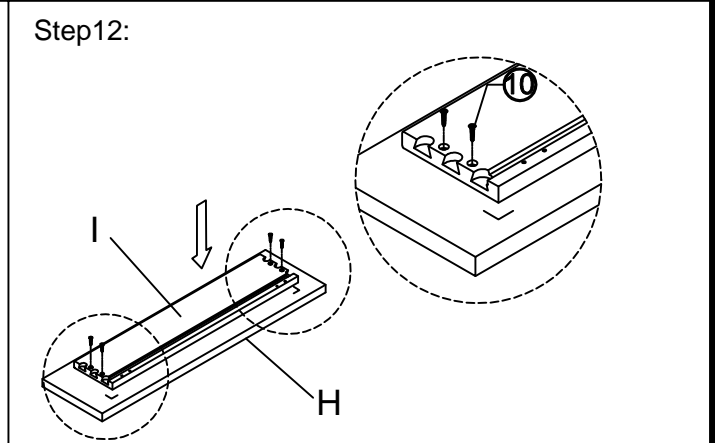
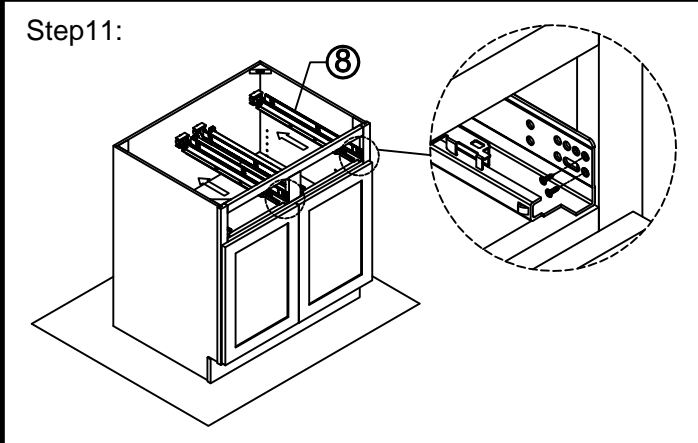
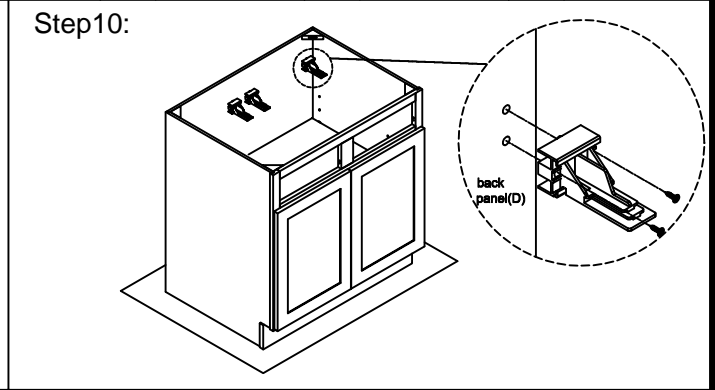
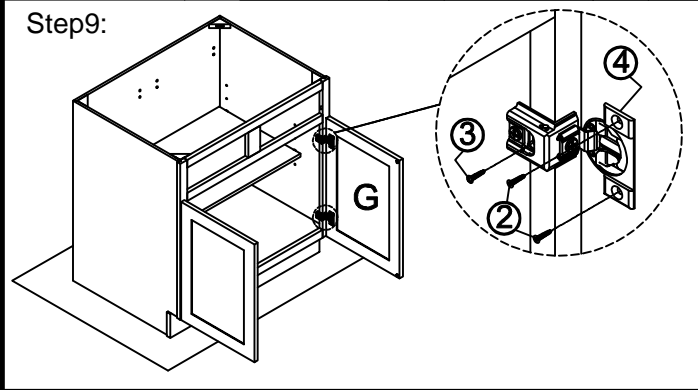
Step8:



## Base Cabinet Assembly Instruction (Item: B36-B48)

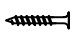








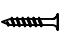
Hard Ware List	1   10PCS   Ø4×25mm	2   8PCS   Ø4×16mm	3   4PCS   Ø4×19mm	4   4PCS   1-1/4"	5   16PCS   Ø4×12mm	6   4PCS	7   4PCS   Ø8mm	8   2SET
	Flat head screw	Flat head screw	Round head screw	Hinge	Flat head screw	Corner brackets	Shelf clips	Slide
								
	9   4PCS   60°60°18	10   8PCS   Ø4×22mm						
	Corner block	Flat head screw						
								

Cabinet Parts List	A	Frame	B	Side panels(2)	C	Bottom panel	D	Back panel	E	Toe kick	F	Adjustable shelf
	G	Door	H	Drawer front	I	Drawer front panel	J	Drawer back panel	K	Drawer side panel(2)	L	Drawer bottom panel



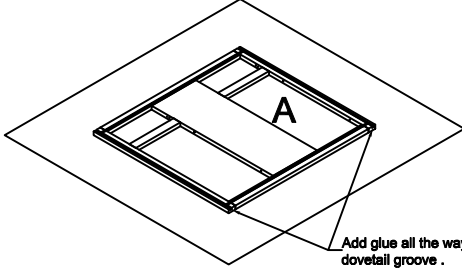


## Base Cabinet Assembly Instruction (Item:BBC36-BBC42)

Hard Ware List	1   10PCS   Ø4×25mm	2   4PCS   Ø4×16mm	3   2PCS   Ø4×19mm	4   4PCS   1-1/4"	5   16PCS   Ø4×12mm	6   4PCS	7   4PCS   Ø8mm	8   1SET
	Flat head screw	Flat head screw	Round head screw	Hinge	Flat head screw	Corner brackets	Shelf clips	Side
								
9   4PCS   60°60°18	10   4PCS   Ø4×22mm		<b>Note:</b> Door and drawers can be installed either left or right depending on the blind side.					
Corner block	Flat head screw							
								

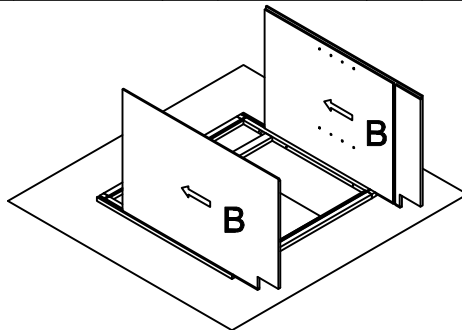
Cabinet Parts List	A	Frame	B	Side panels(2)	C	Bottom panel	D	Back panel	E	Toe kick	F	Adjustable shelf
	G	Door	H	Drawer front	I	Drawer front panel	J	Drawer back panel	K	Drawer side panel(2)	L	Drawer bottom panel

**Step1:**

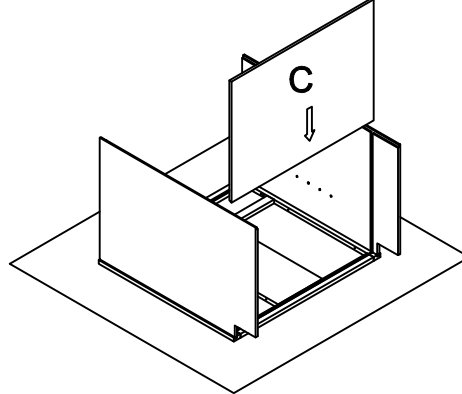


Add glue all the way down along dovetail groove .

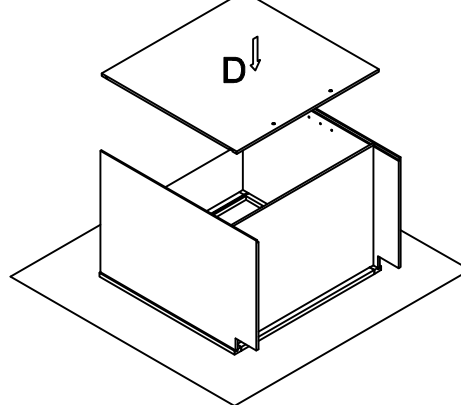
**Step2:**



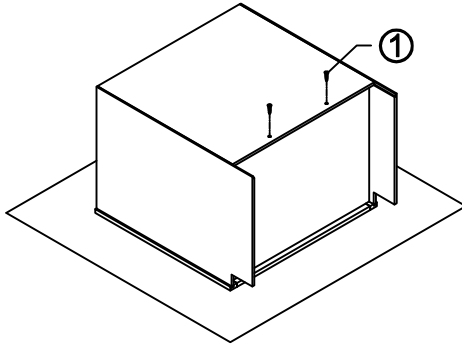
**Step3:**



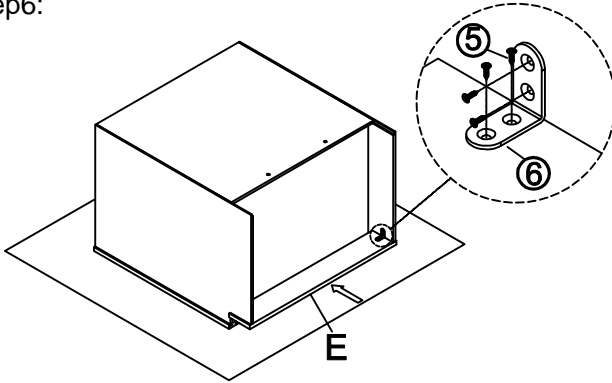
**Step4:**



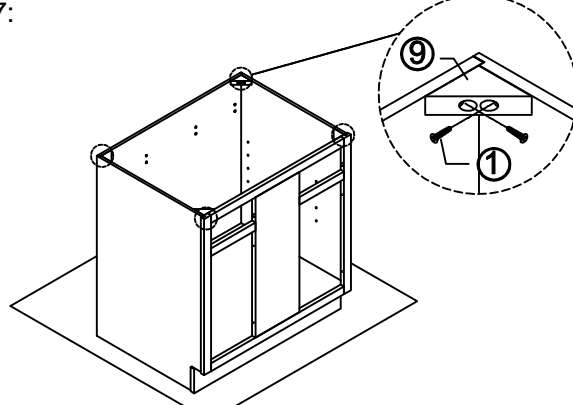
**Step5:**



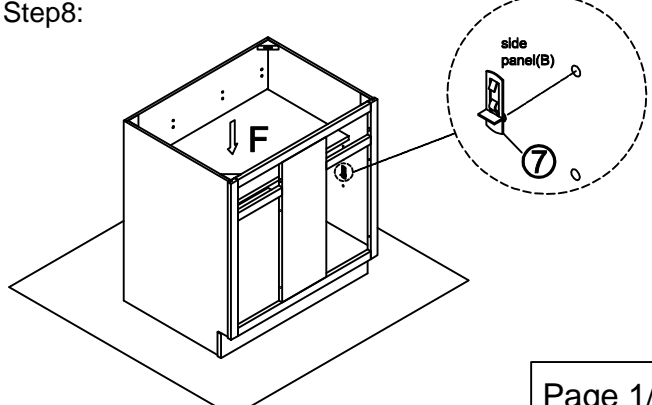
**Step6:**



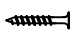



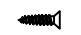




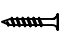
**Step7:**



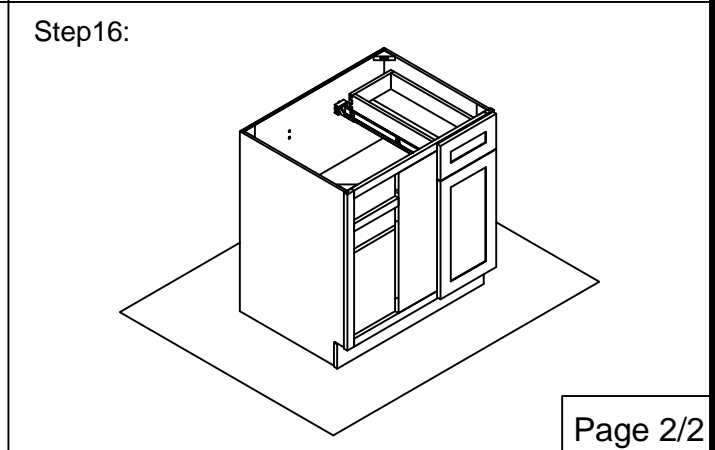
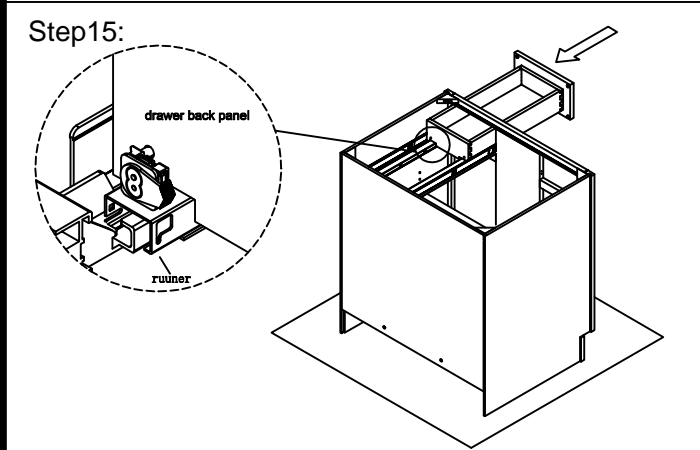
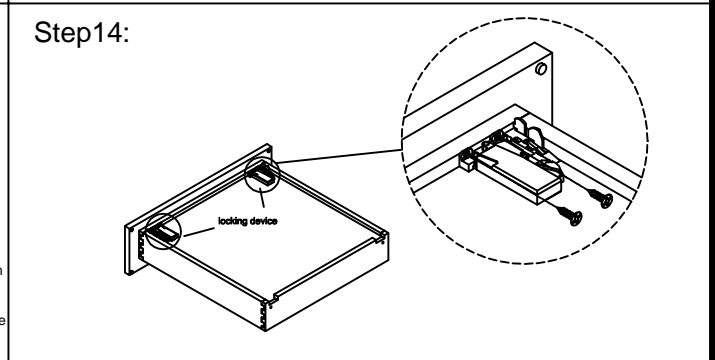
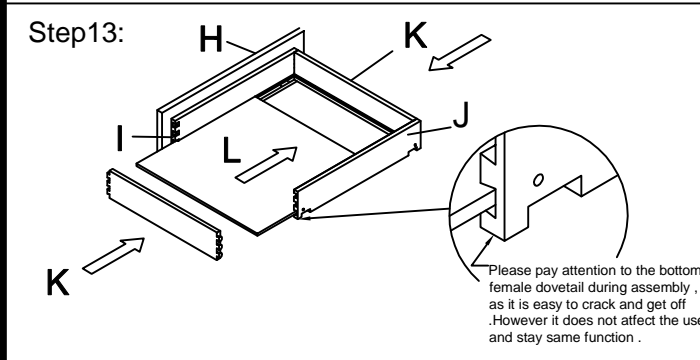
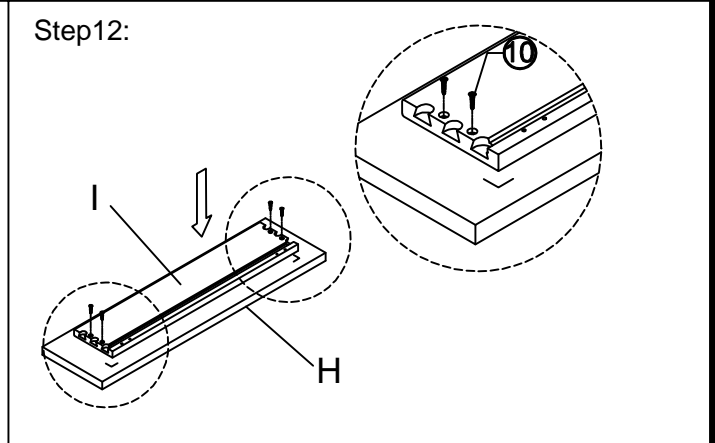
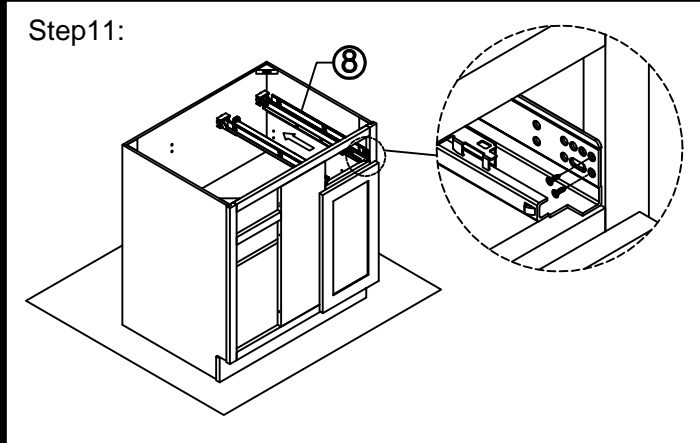
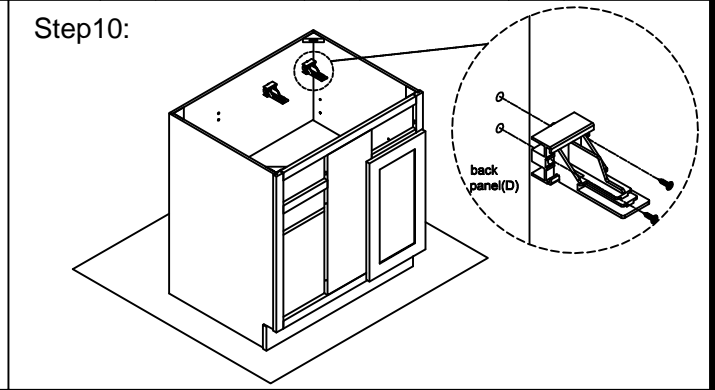
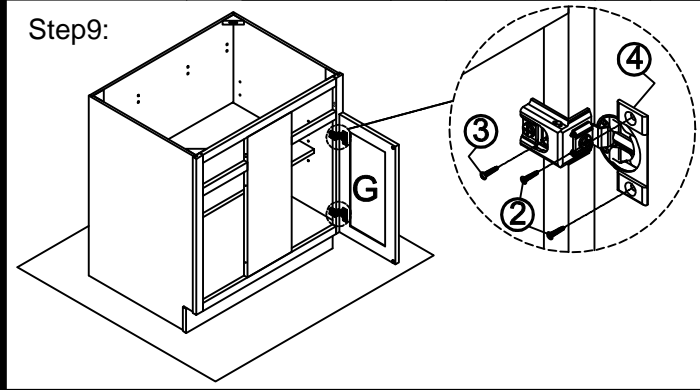
**Step8:**



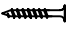






## Base Cabinet Assembly Instruction (Item:BBC39/42-BBC42/45)

Hard Ware List	1   10PCS   Ø4×25mm	2   4PCS   Ø4×16mm	3   2PCS   Ø4×19mm	4   4PCS   1-1/4"	5   16PCS   Ø4×12mm	6   4PCS	7   4PCS   Ø8mm	8   1SET
	Flat head screw	Flat head screw	Round head screw	Hinge	Flat head screw	Corner brackets	Shelf clips	Slide
								
	9   4PCS   60°60°18	10   4PCS   Ø4×22mm						
	Corner block	Flat head screw						
								

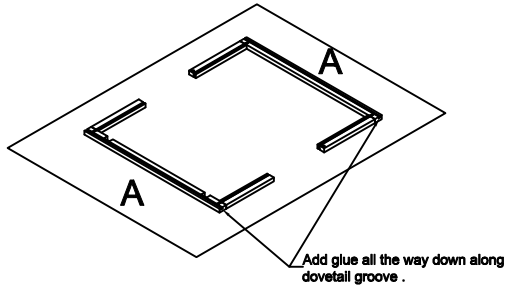
Cabinet Parts List	A	Frame	B	Side panels(2)	C	Bottom panel	D	Back panel	E	Toe kick	F	Adjustable shelf
	G	Door	H	Drawer front	I	Drawer front panel	J	Drawer back panel	K	Drawer side panel(2)	L	Drawer bottom panel



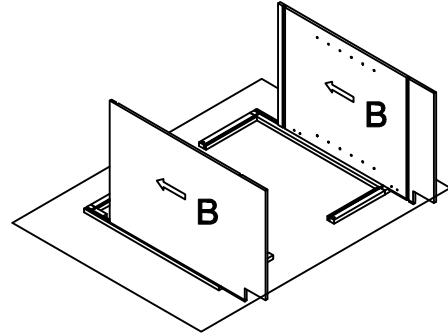
## Lazy Susan Base Cabinet Assembly Instruction (Item: BLS33-BLS36)

Hard Ware List	1   8PCS   Ø4×25mm	2   4PCS   Ø4×16mm	4   2PCS   165°	5   40PCS   Ø4×12mm	6   10PCS	7   8PCS   Ø6mm	8   4PCS   60°60°18					
	Flat head screw	Flat head screw	Hinge	Flat head screw	Corner brackets	Shelf clips	Corner block					
												
Cabinet Parts List	A	Frame(2)	B	Side panels(4)	C	Top panel	D	Bottom panel	E	Adjustable shelf	F	Back panel
	G	Toe kick(2)	H	Door(2)								

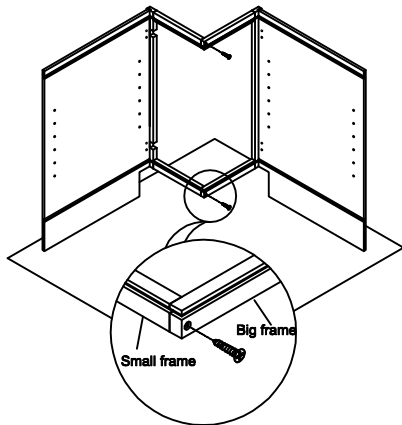
Step1:



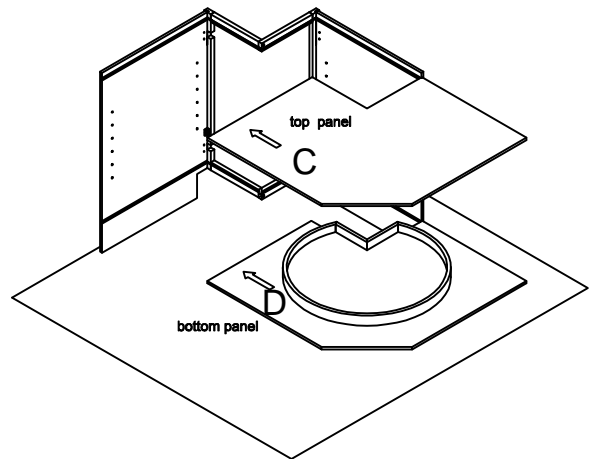
Step2:



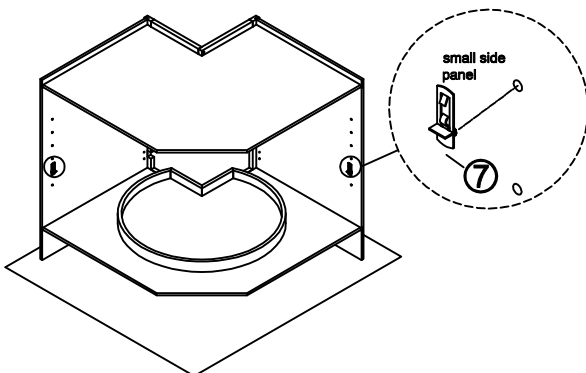
Step3:



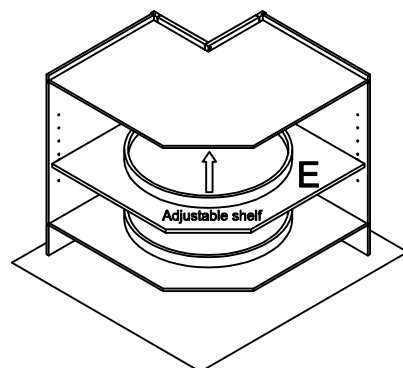
Step4:



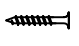






Step5:



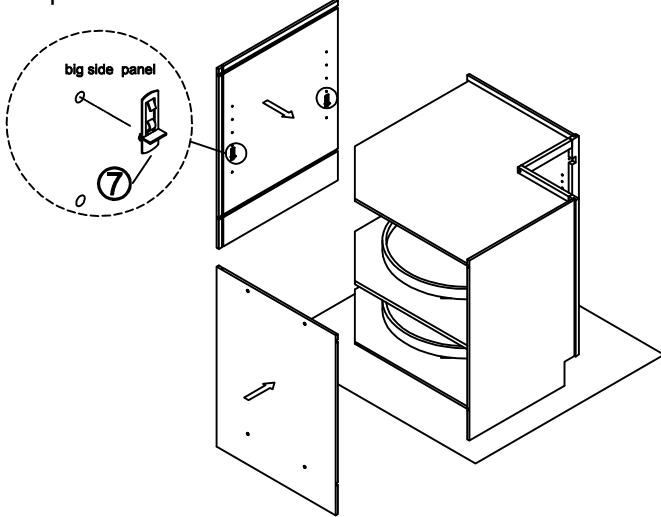
Step6:



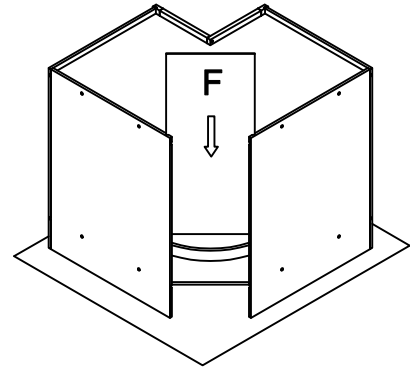
## Lazy Susan Base Cabinet Assembly Instruction (Item: BLS33-BLS36)

Hard Ware List	1   16PCS   Ø4×25mm	2   4PCS   Ø4×16mm	4   2PCS   165°	5   40PCS   Ø4×12mm	6   10PCS	7   8PCS   Ø6mm	8   4PCS   60°60°18					
	Flat head screw	Flat head screw	Hinge	Flat head screw	Corner brackets	Shelf clips	Corner block					
												
Cabinet Parts List	A	Frame(2)	B	Side panels(4)	C	Top panel	D	Bottom panel	E	Adjustable shelf	F	Back panel
	G	Toe kick(2)	H	Door(2)								

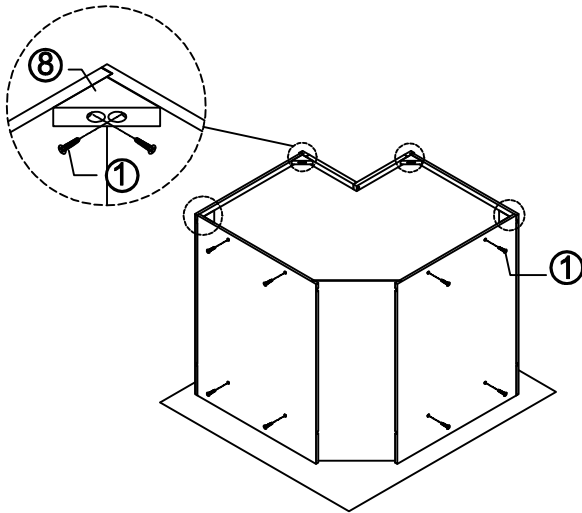
**Step7:**



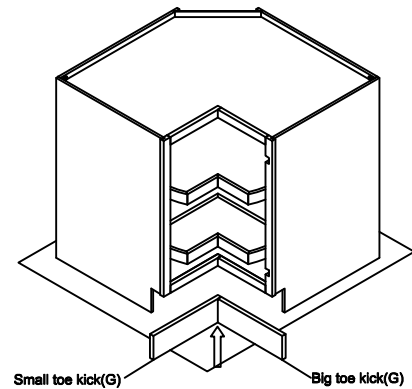
**Step8:**



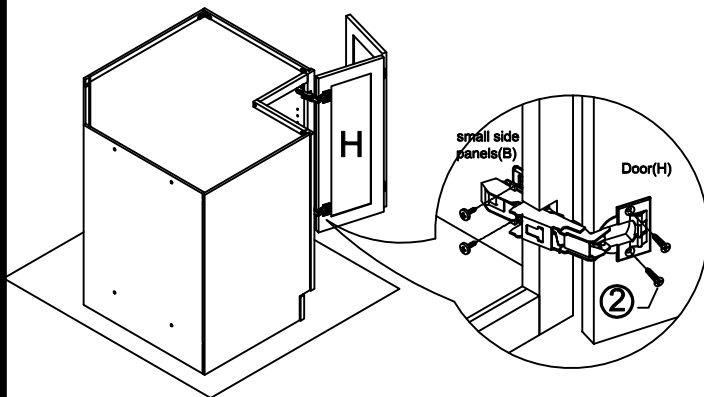
**Step9:**



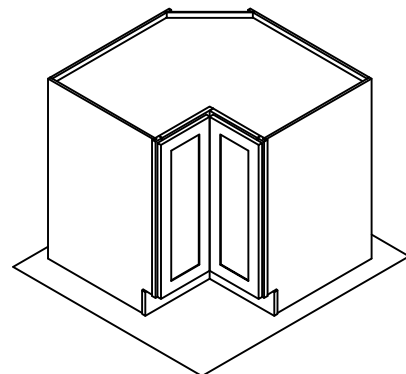
**Step10:**



**Step11:**



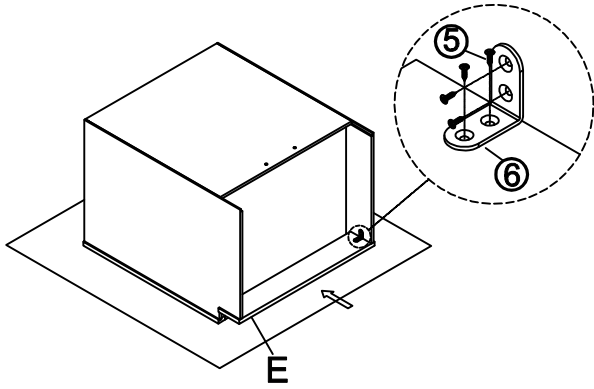
**Step12:**



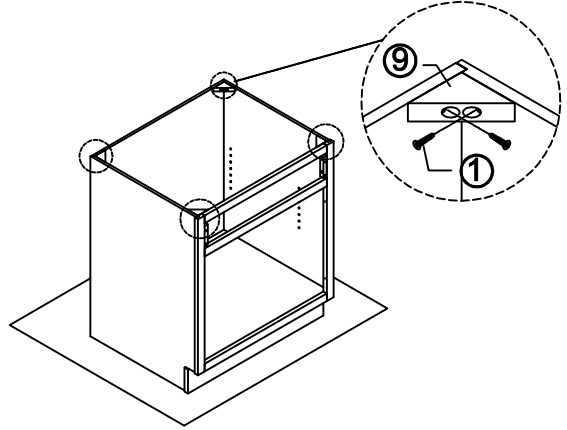
## Base Cabinet Assembly Instruction (Item: SB33-SB42 / V2421-V36)

Hard Ware List	1   6PCS   Ø4×25mm	2   8PCS   Ø4×16mm	3   4PCS   Ø4×19mm	4   4PCS   1-1/4"	5   40PCS   Ø4×12mm	6   10PCS	9   4PCS   60°60°18	10   12PCS   Ø4×22mm				
	Flat head screw	Flat head screw	Round head screw	Hinge	Flat head screw	Corner brackets	Corner block	Flat head screw				
Cabinet Parts List	A	Frame	B	Side panels(2)	C	Bottom panel	D	Back panel	E	Toe kick	G	Door(2)
	H	Drawer front										

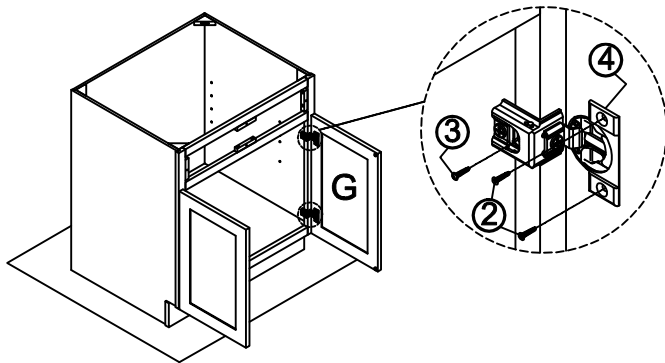
Step6:



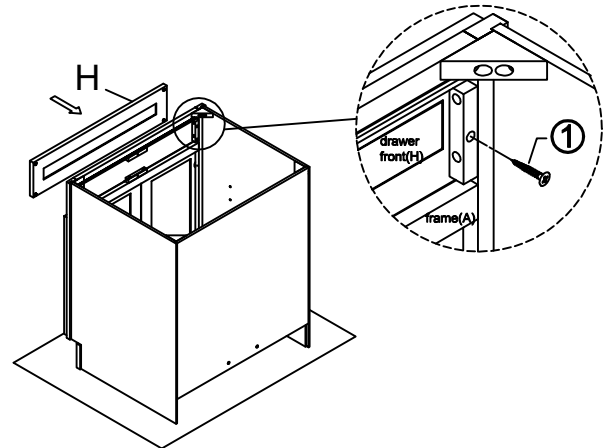
Step7:



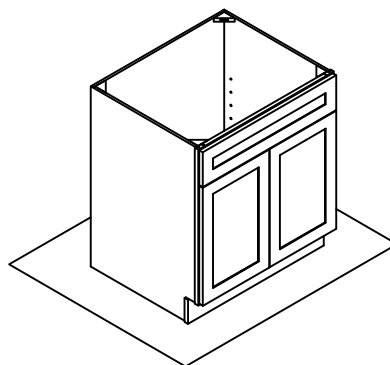
Step8:



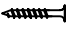





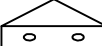
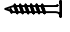
Step9:



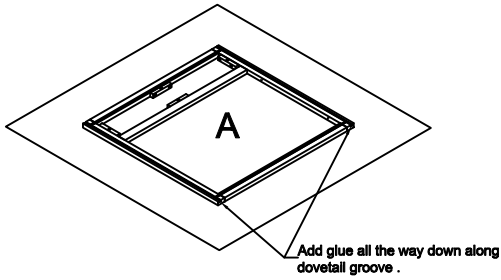
Step10:



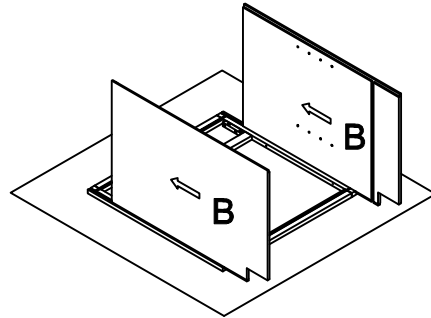
## Base Cabinet Assembly Instruction (Item:SB24-SB48/V2421-V3621)

Hard Ware List	1   6PCS   Ø4×25mm	2   8PCS   Ø4×16mm	3   4PCS   Ø4×19mm	4   4PCS   1-1/4"	5   40PCS   Ø4×12mm	6   10PCS	9   4PCS   60°60°18	10   12PCS   Ø4×22mm				
	Flat head screw	Flat head screw	Round head screw	Hinge	Flat head screw	Corner brackets	Corner block	Flat head screw				
												
Cabinet Parts List	A	Frame	B	Side panels(2)	C	Bottom panel	D	Back panel	E	Toe kick	G	Door(2)
	H	Drawer front										

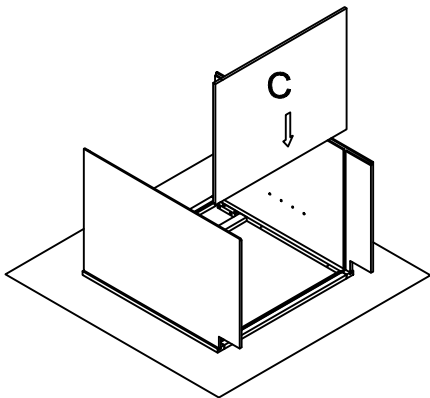
Step1:



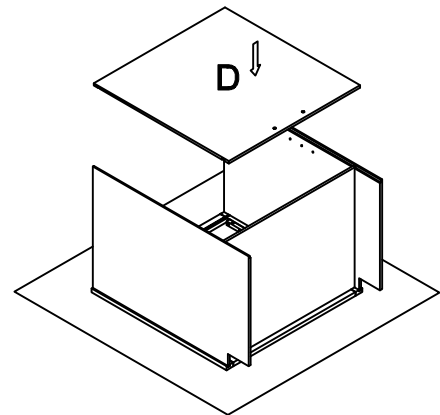
Step2:



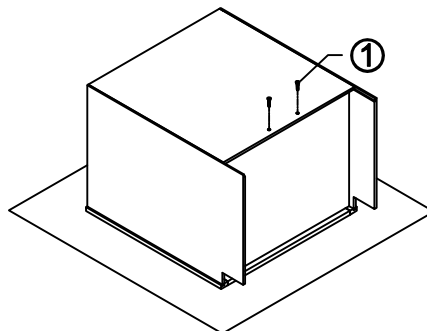
Step3:



Step4:



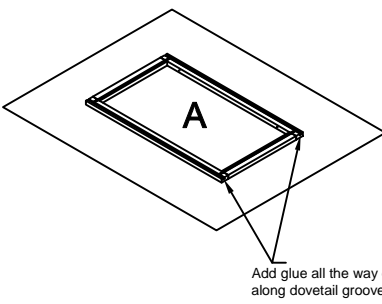
Step5:



## Wall Cabinet Assembly Instruction (Item:W0930-W2130/W0936-W2136/PW1830-PW1836)

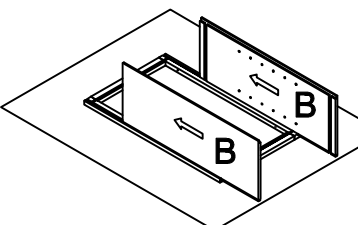
Hard Ware List	1   4PCS   Ø4×25mm	2   4PCS   Ø4×16mm	3   2PCS   Ø4×19mm	4   2PCS   1-1/4"	5   32PCS   Ø4×12mm	6   8PCS	7   8PCS   Ø8mm	
	Flat head screw	Flat head screw	Round head screw	Hinge	Flat head screw	Corner brackets	Shelf clips	
Cabinet Parts List	A	Frame	B	Side panels(2)	C	Top panel & Bottom panel(2)	D	Back panel
	E	Adjustable shelf(2)		F	Door			

**Step1:**

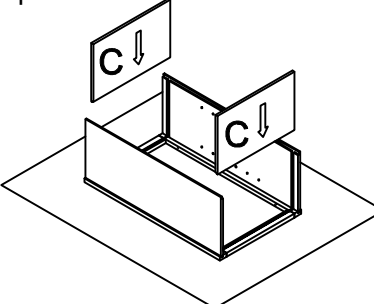


Add glue all the way down along dovetail groove .

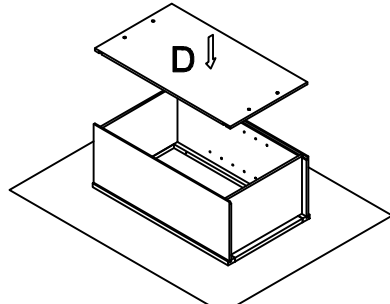
**Step2:**



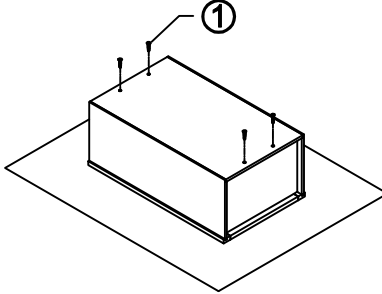
**Step3:**



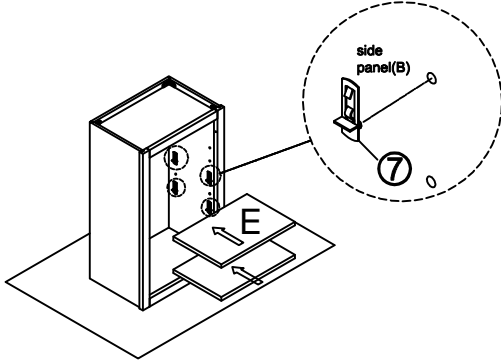
**Step4:**



**Step5:**



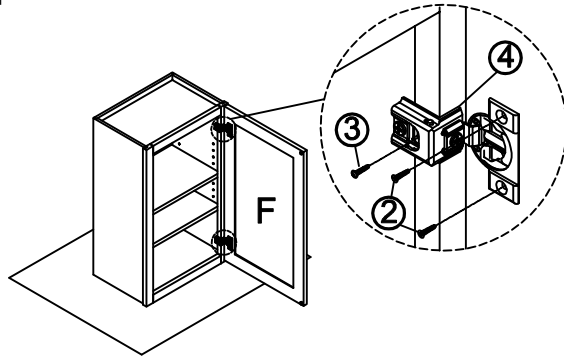
**Step6:**



side panel(B)

7

**Step7:**



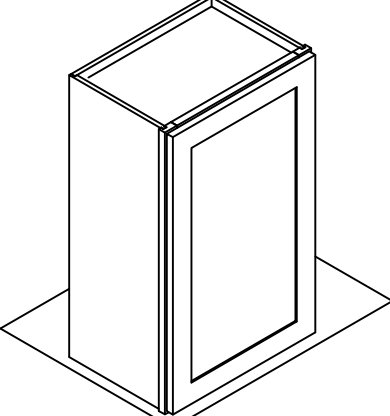
4

3

2

4

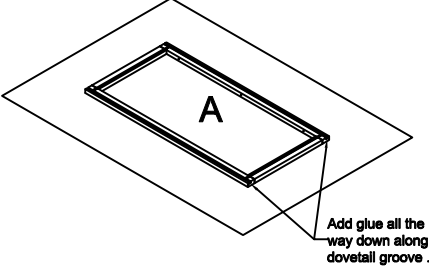
**Step8:**



## Wall Cabinet Assembly Instruction (Item:W0942-W2142/PW1842)

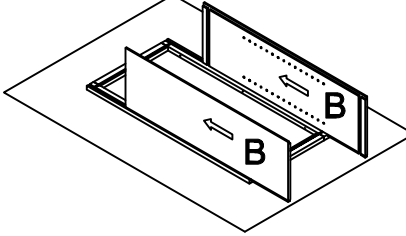
Hard Ware List	1   4PCS   Ø4×25mm	2   6PCS   Ø4×16mm	3   3PCS   Ø4×19mm	4   3PCS   1-1/4"	5   16PCS   Ø4×12mm	6   4PCS	7   12PCS   Ø8mm	
	Flat head screw	Flat head screw	Round head screw	Hinge	Flat head screw	Corner brackets	Shelf clips	
Cabinet Parts List	A	Frame	B	Side panels(2)	C	Top panel & Bottom panel(2)	D	Back panel
	E	Adjustable shelf(3)			F	Door		

**Step1:**

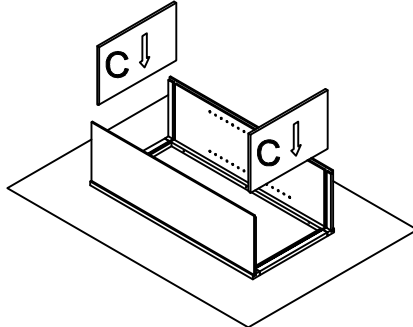


Add glue all the way down along dovetail groove.

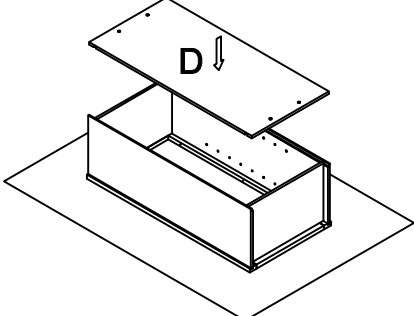
**Step2:**



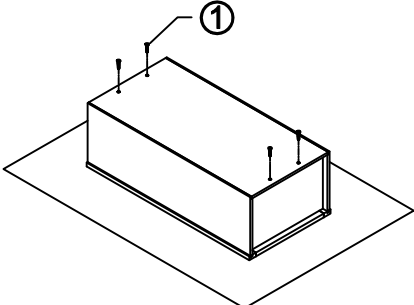
**Step3:**



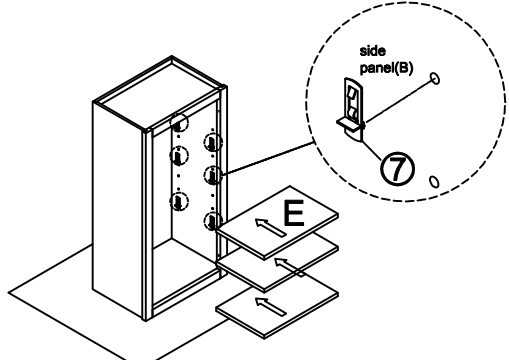
**Step4:**



**Step5:**



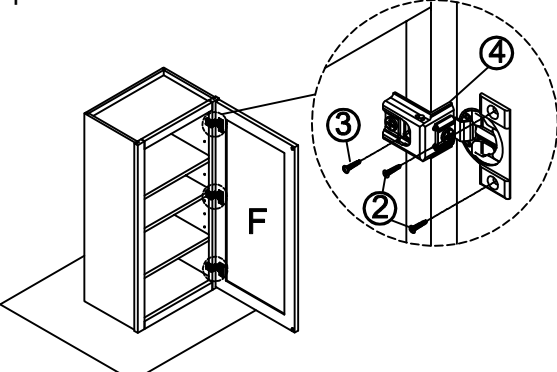
**Step6:**



side panel(B)

7

**Step7:**

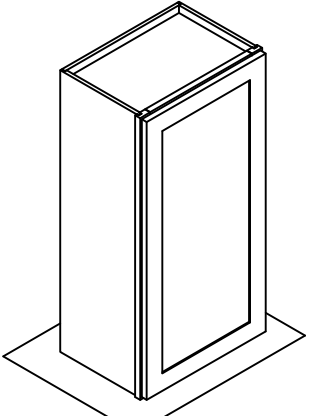


2

3

4

**Step8:**



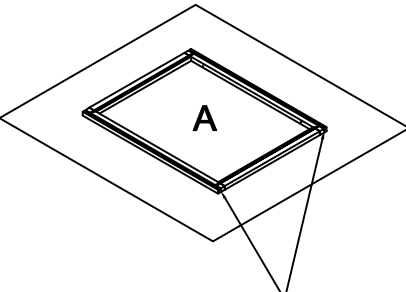


## Wall Cabinet Assembly Instruction

(Item: W2430-W3630 W2436-W3636 PW2430-PW3030 PW2436-PW3036 )

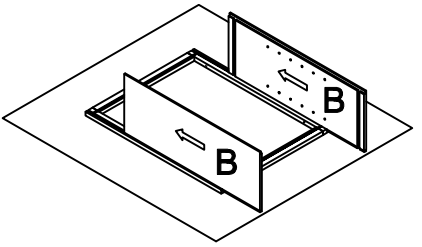
Hard Ware List	1   4PCS   Ø4×25mm	2   8PCS   Ø4×16mm	3   4PCS   Ø4×19mm	4   4PCS   1-1/4"	5   16PCS   Ø4×12mm	6   4PCS	7   8PCS   Ø8mm	
	Flat head screw	Flat head screw	Round head screw	Hinge	Flat head screw	Corner brackets	Shelf clips	
Cabinet Parts List	A	Frame	B	Side panels(2)	C	Top panel & Bottom panel(2)	D	Back panel
	E	Adjustable shelf(2)		F	Door(2)			

**Step1:**

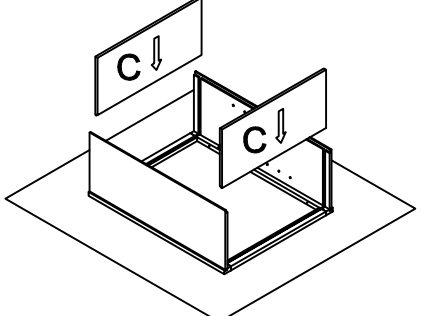


Add glue all the way down along dovetail groove .

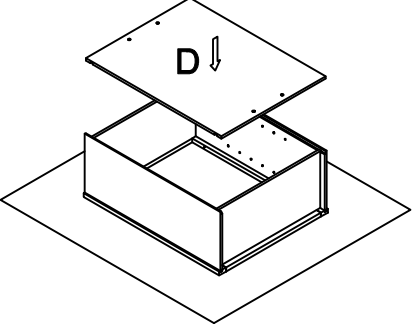
**Step2:**



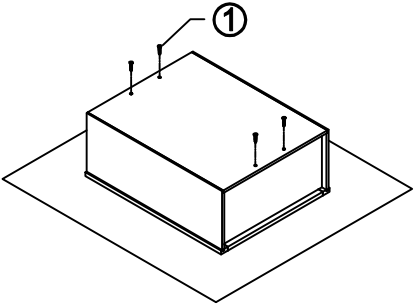
**Step3:**



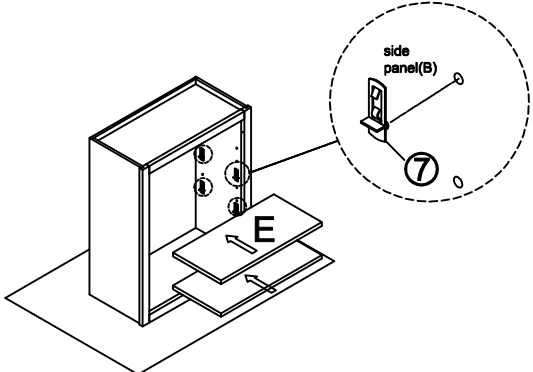
**Step4:**



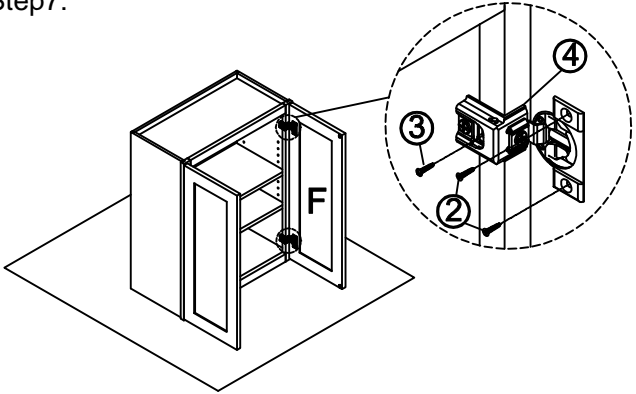
**Step5:**



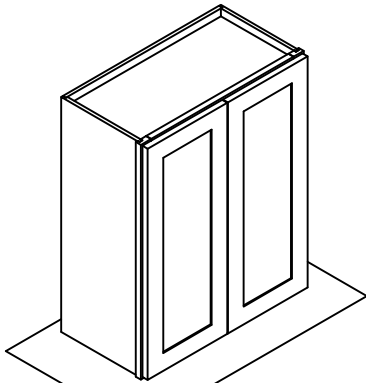
**Step6:**



**Step7:**

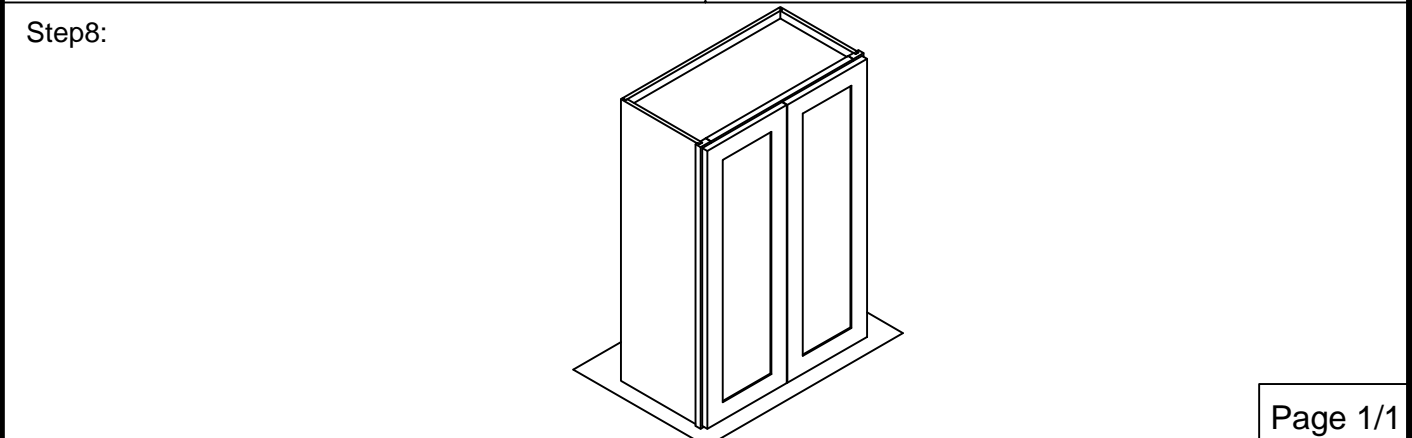
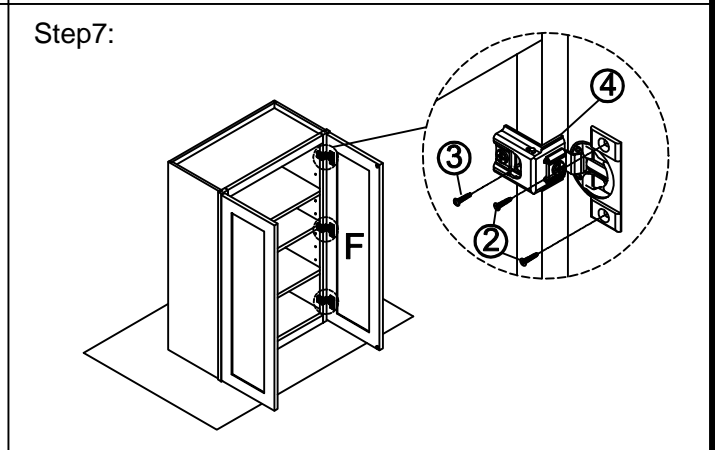
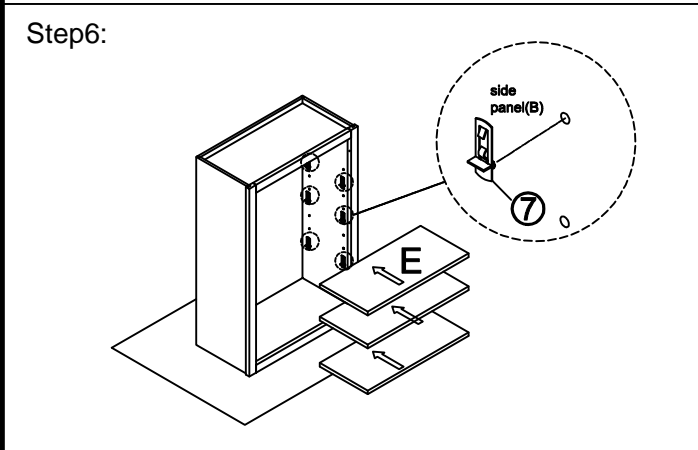
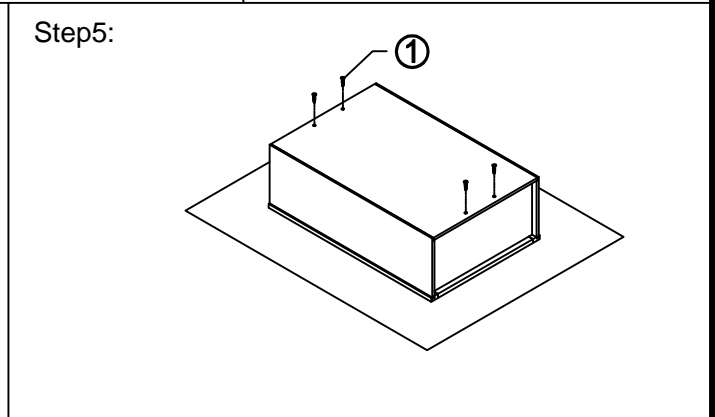
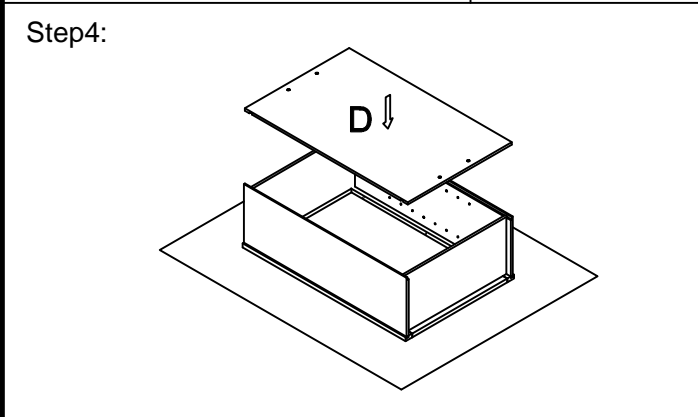
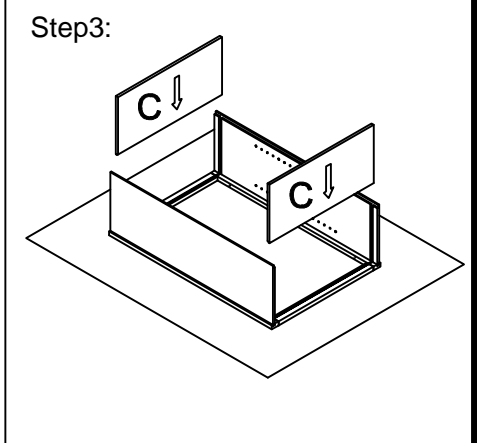
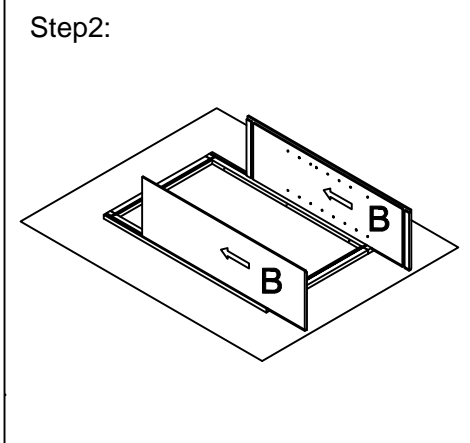
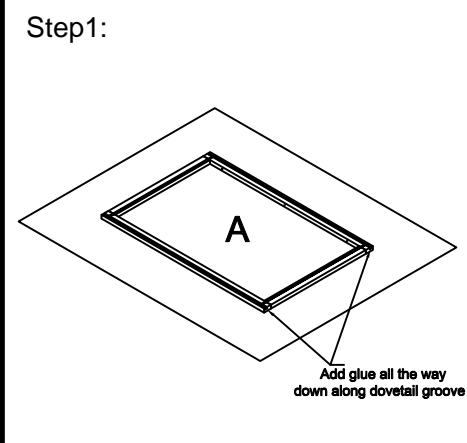


**Step8:**



## Wall Cabinet Assembly Instruction (Item: W2442-W3642 PW2442-PW3042 )

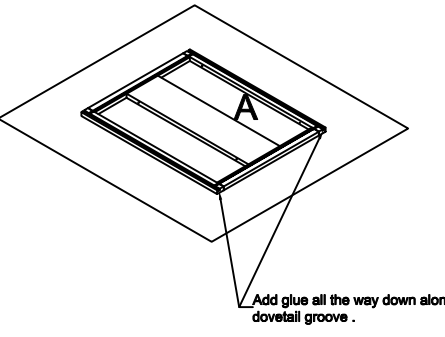
Hard Ware List	1   4PCS   Ø4×25mm	2   12PCS   Ø4×16mm	3   6PCS   Ø4×19mm	4   6PCS   1-1/4"	5   16PCS   Ø4×12mm	6   4PCS	7   12PCS   Ø8mm	
	Flat head screw	Flat head screw	Round head screw	Hinge	Flat head screw	Corner brackets	Shelf clips	
Cabinet Parts List	A	Frame	B	Side panels(2)	C	Top panel & Bottom panel(2)	D	Back panel
	E	Adjustable shelf(3)			F	Door(2)		



## Wall Cabinet Assembly Instruction (Item: WBC2730-WBC2736)

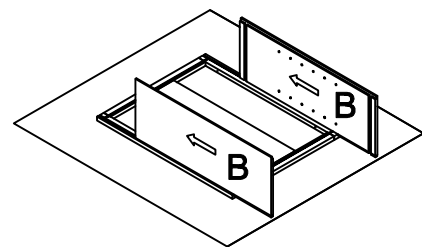
Hard Ware List	1   4PCS   Ø4×25mm	2   4PCS   Ø4×16mm	3   2PCS   Ø4×19mm	4   2PCS   1-1/4"	5   16PCS   Ø4×12mm	6   4PCS	7   8PCS   Ø8mm	
	Flat head screw	Flat head screw	Round head screw	Hinge	Flat head screw	Corner brackets	Shelf clips	
Cabinet Parts List	A	Frame	B	Side panels(2)	C	Top panel & Bottom panel(2)	D	Back panel
	E	Adjustable shelf(2)		F	Door			

**Step1:**

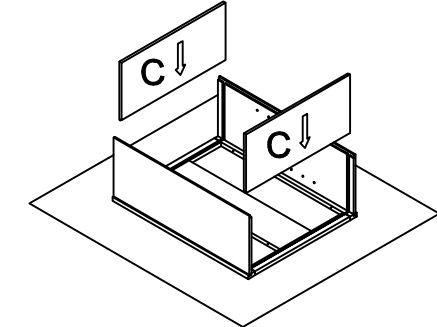


Add glue all the way down along dovetail groove .

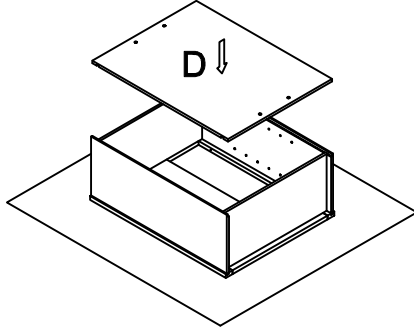
**Step2:**



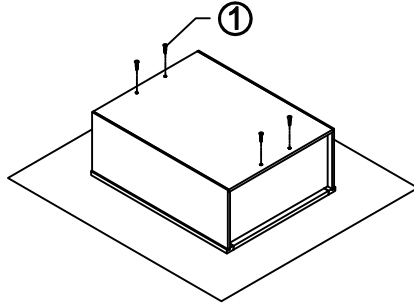
**Step3:**



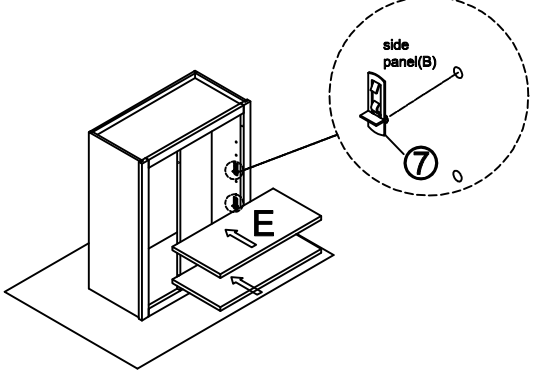
**Step4:**



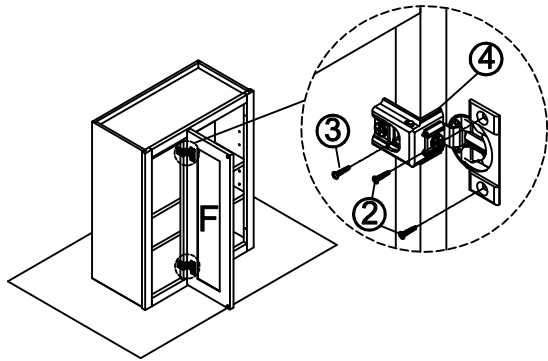
**Step5:**



**Step6:**

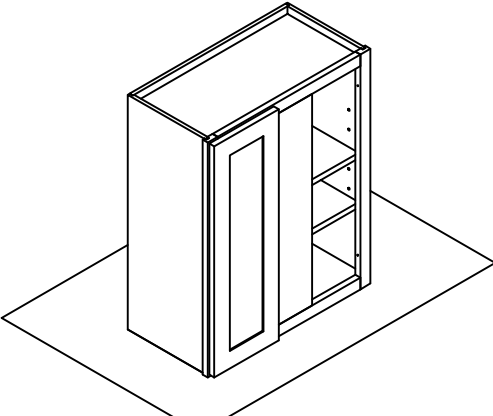


**Step7:**

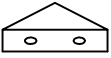
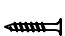


**Step8:**

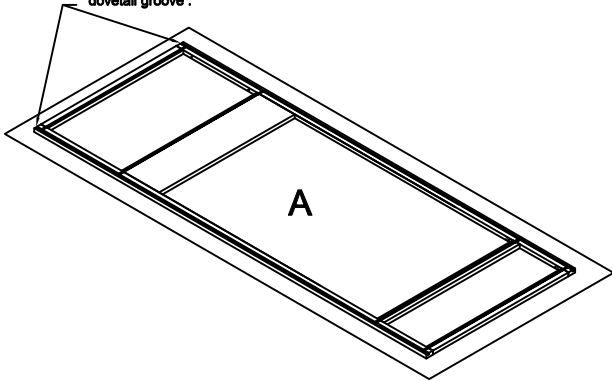
**Note:** Door can be installed either on the left or right depending on the blind side.



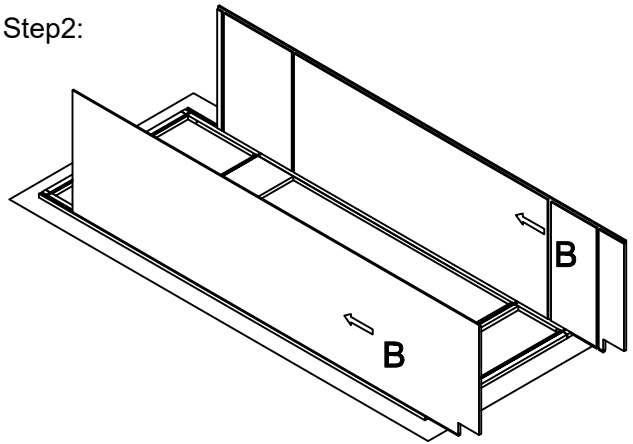
## Oven Cabinet Assembly Instruction (Item:OC3190-OC3196)

Hard Ware List	1   16PCS   Ø4×25mm Flat head screw	2   8PCS   Ø4×16mm Flat head screw	3   4PCS   Ø4×19mm Round head screw	4   4PCS   1-1/4"   Hinge	5   16PCS   Ø4×12mm Flat head screw	6   4PCS   Corner brackets	7   4PCS   Ø8mm Shelf clips	8   1SET   Side				
	9   4PCS   60°60°18 Corner block	10   6PCS   Ø4×22mm Flat head screw										
												
Cabinet Parts List	A	Frame	B	Side panels(2)	C	Top panel & Bottom panel(4)		D	Back panel	E	Toe kick	
	G	Door(2)	H	Drawer front(1)	I	Drawer front panel(1)	J	Drawer back panel(1)	K	Drawer side panel(2)	L	Drawer bottom panel(1)
	M	Fixed shelf(1)										

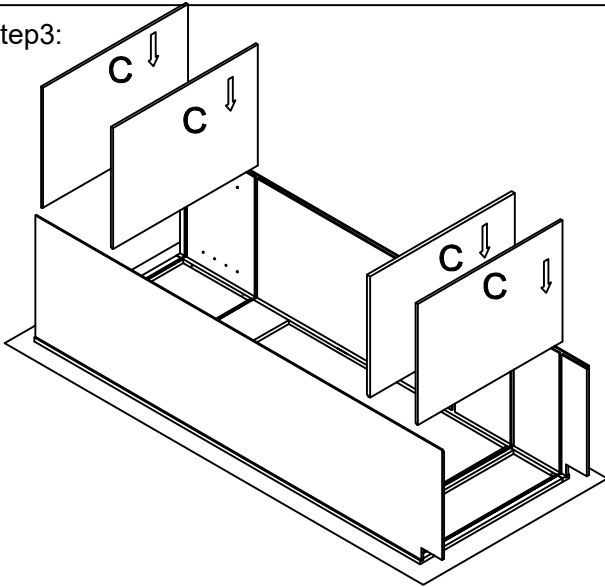
**Step1:** Add glue all the way down along dovetail groove.



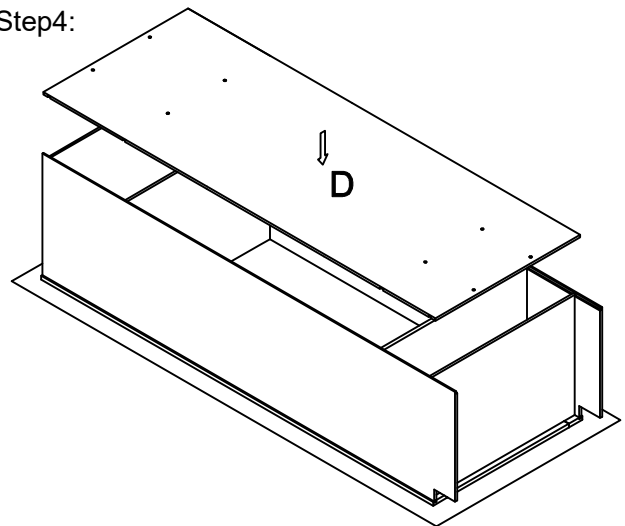
**Step2:**



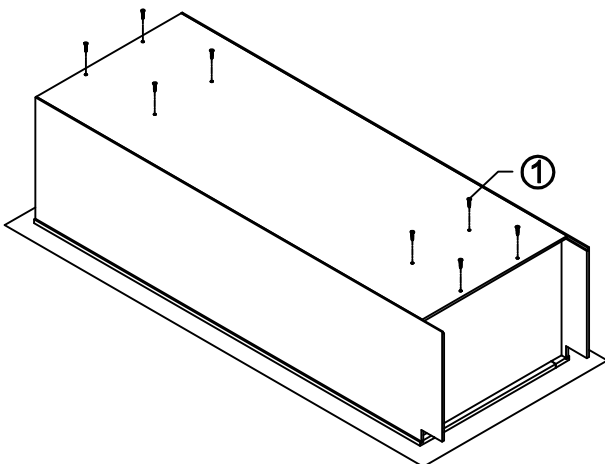
**Step3:**



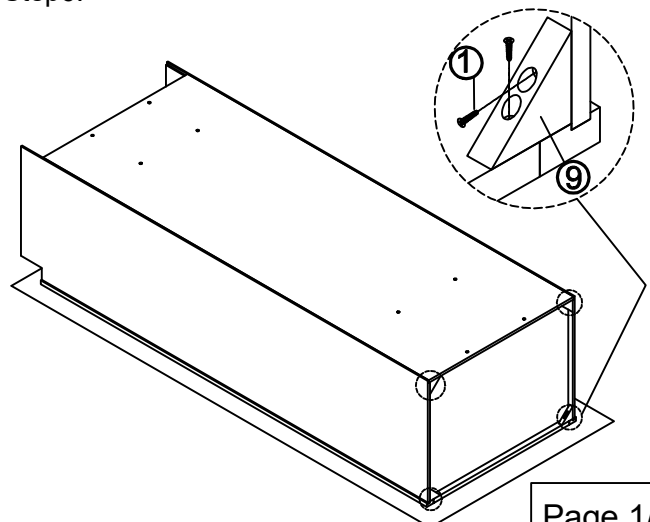
**Step4:**



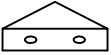

**Step5:**



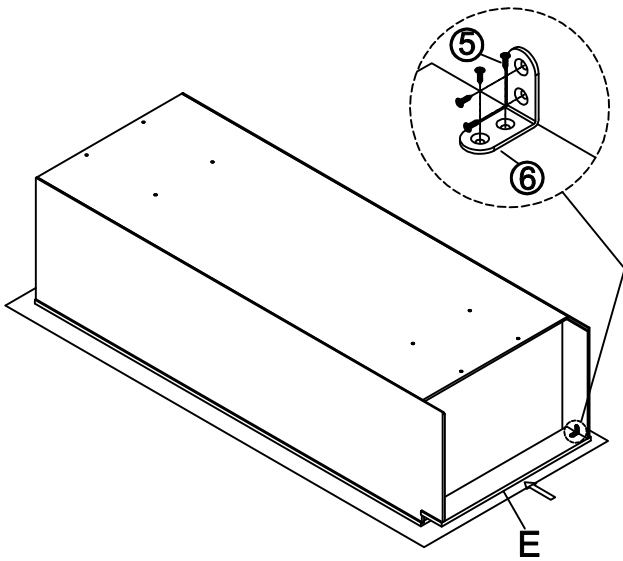
**Step6:**



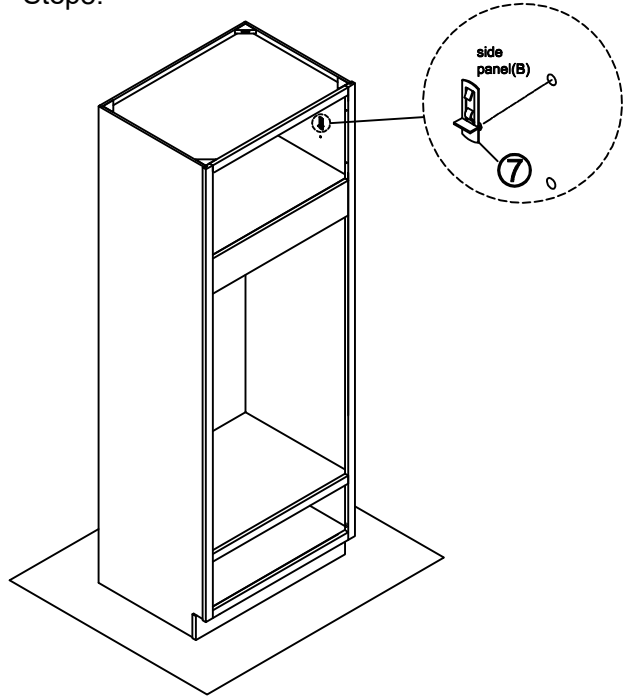
## Oven Cabinet Assembly Instruction (Item:OC3190-OC3196)

Hard Ware List	1   16PCS   Ø4×25mm Flat head screw	2   8PCS   Ø4×16mm Flat head screw	3   4PCS   Ø4×19mm Round head screw	4   4PCS   1-1/4"   Hinge	5   16PCS   Ø4×12mm Flat head screw	6   4PCS   Corner brackets	7   4PCS   Ø8mm Shelf clips	8   1SET   Side
	9   4PCS   60°60°18 Corner block	10   6PCS   Ø4×22mm Flat head screw						
								
Cabinet Parts List	A   Frame	B   Side panels(2)	C   Top panel & Bottom panel(4)	D   Back panel	E   Toe kick			
	G   Door(2)	H   Drawer front(1)	I   Drawer front panel(1)	J   Drawer back panel(1)	K   Drawer side panel(2)	L   Drawer bottom panel(1)		
	M   Fixed shelf(1)							

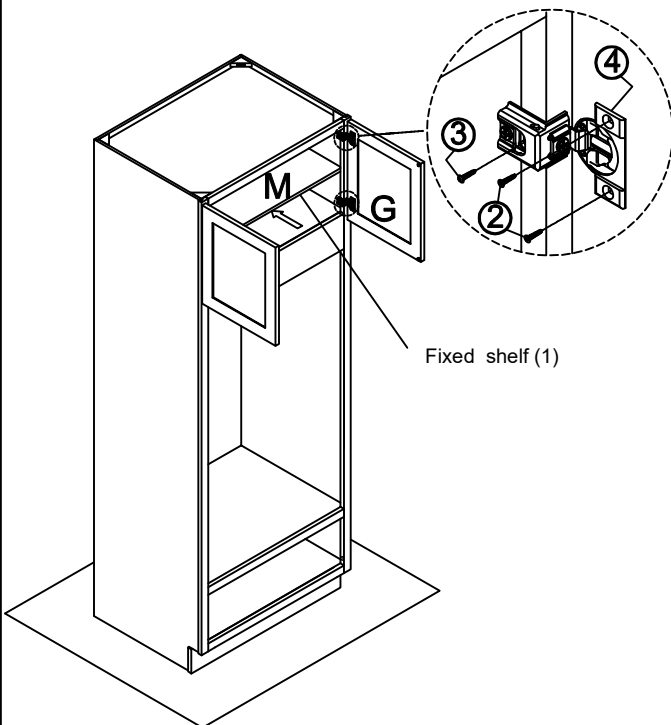
Step7:



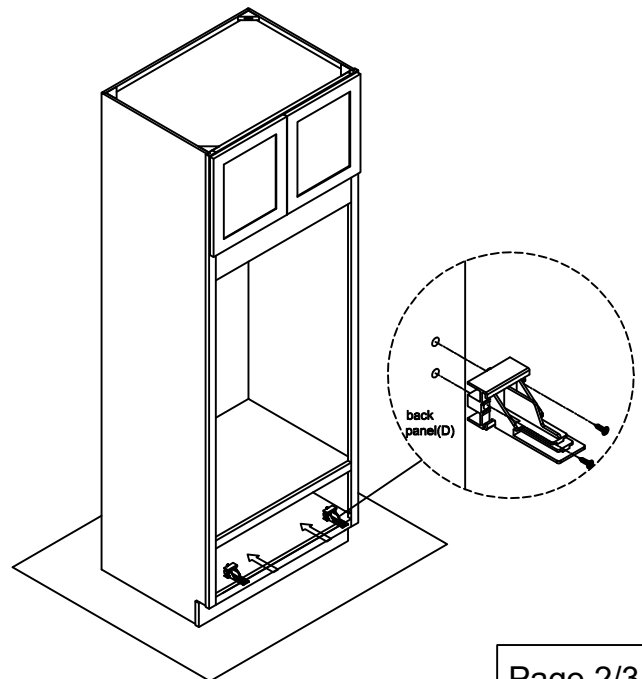
Step8:



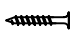







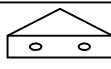
Step9:



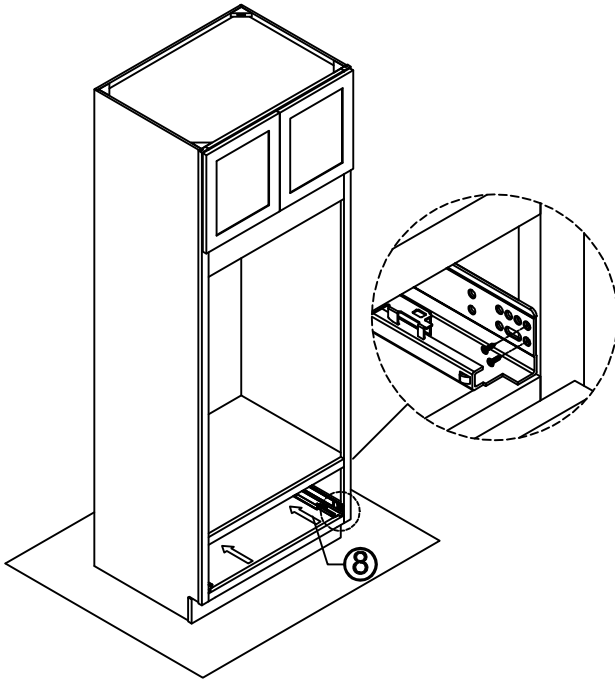
Step10:



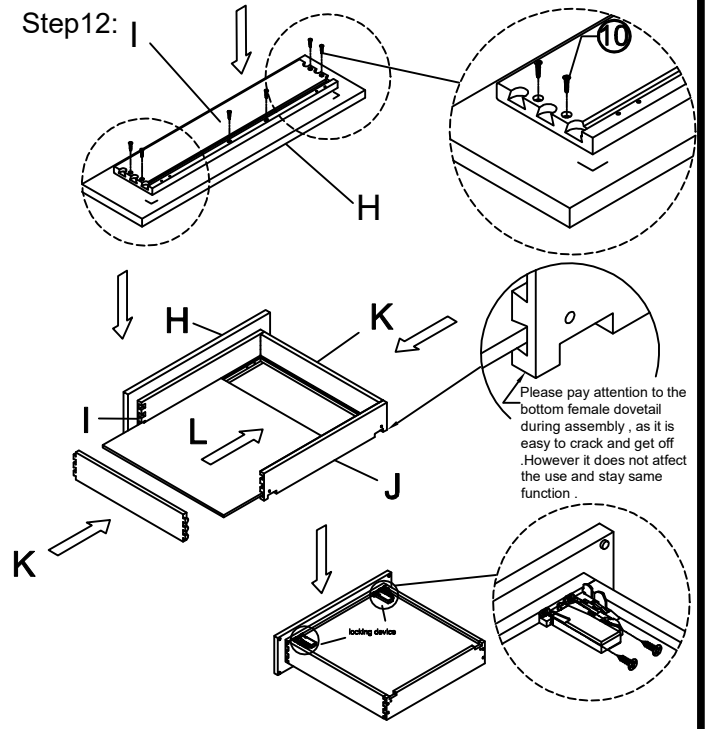
## Oven Cabinet Assembly Instruction (Item:OC3190-OC3196)

Hard Ware List	1   16PCS   Ø4×25mm	2   8PCS   Ø4×16mm	3   4PCS   Ø4×19mm	4   4PCS   1-1/4"	5   16PCS   Ø4×12mm	6   4PCS	7   4PCS   Ø8mm	8   1SET				
	Flat head screw	Flat head screw	Round head screw	Hinge	Flat head screw	Corner brackets	Shelf clips	Slide				
												
Cabinet Parts List	9   4PCS   60°60°18											
	Corner block	10   6PCS   Ø4×22mm										
		Flat head screw										
	A	Frame	B	Side panels(2)	C	Top panel & Bottom panel(4)		D	Back panel	E	Toe kick	
	G	Door(2)	H	Drawer front(1)	I	Drawer front panel(1)	J	Drawer back panel(1)	K	Drawer side panel(2)	L	Drawer bottom panel(1)
	M	Fixed shelf (1)										

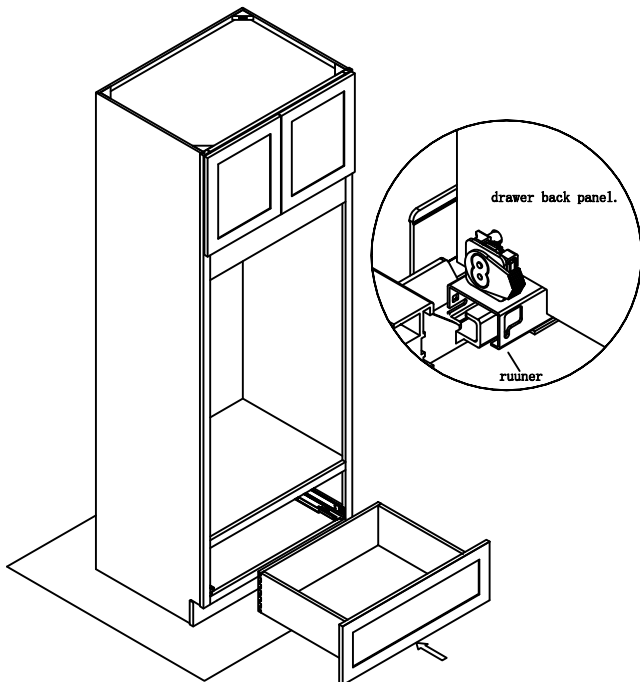
Step11:



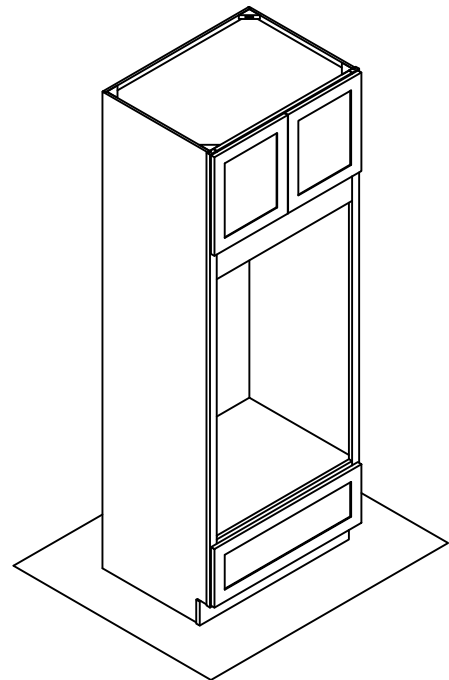
Step12:



Step13:



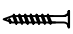
Step14:



# Base Cabinet Assembly Instruction (Item:TB06/TB09)

Hard Ware List

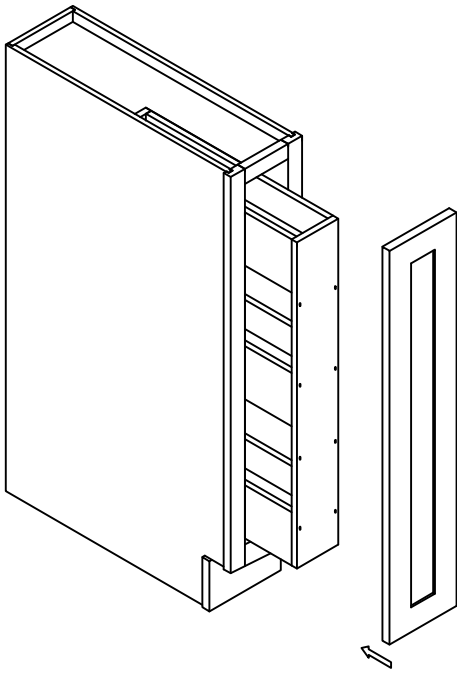
1	8PCS	Ø4×25mm
Flat head screw		



Cabinet Parts List

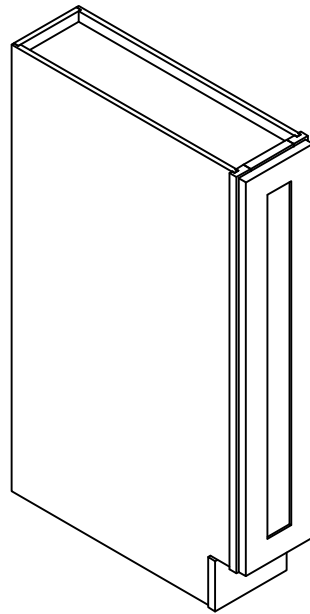
A	Frame	B	Door						
---	-------	---	------	--	--	--	--	--	--

Step1:



STEP  
1

Step2:

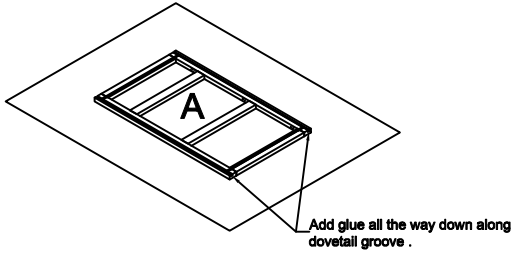


STEP  
2

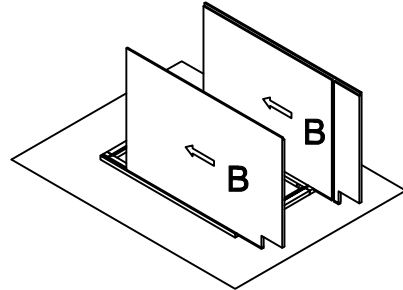
## Base Cabinet Assembly Instruction (Item: DB12-DB36 VDB1221-3 -VDB2121-3)

Hard Ware List	1   10PCS   Ø4×25mm	5   16PCS   Ø4×12mm	6   4PCS	8   3SET	9   4PCS   60°60°18	10   12PCS   Ø4×22mm						
	Flat head screw	Flat head screw	Corner brackets	Slide	Corner block	Flat head screw						
Cabinet Parts List	A	Frame	B	Side panels(2)	C	Bottom panel	D	Back panel	E	Toe kick	H	Drawer front(3)
	I	Drawer front panel (3)		J	Drawer back panel (3)		K	Drawer side panel(6)		L	Drawer bottom panel (3)	

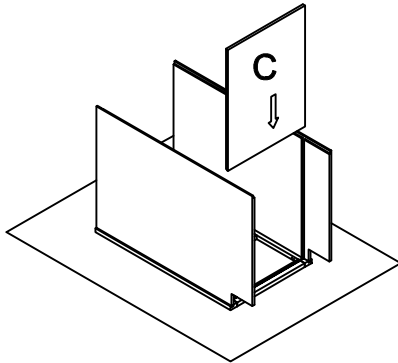
Step1:



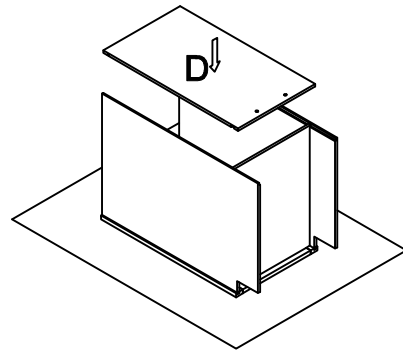
Step2:



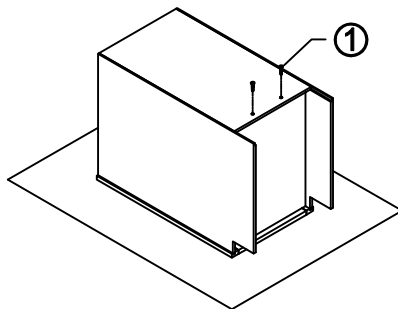
Step3:



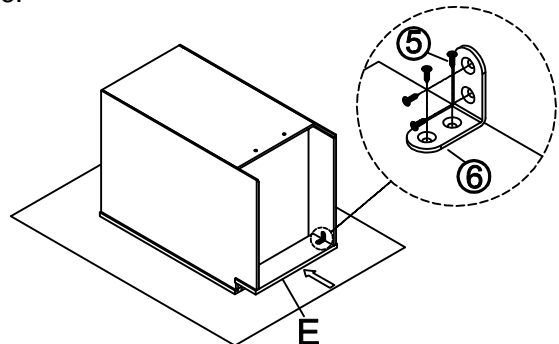
Step4:



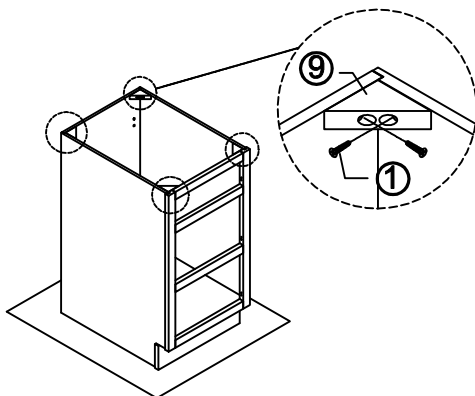
Step5:



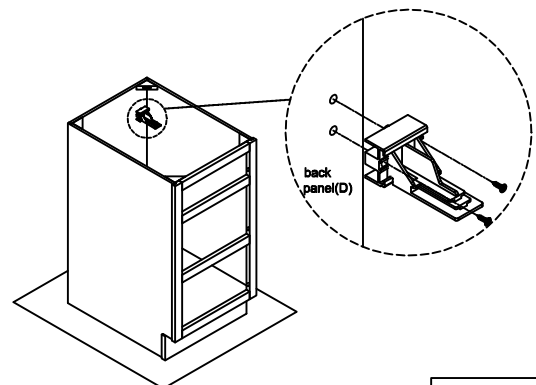
Step6:



Step7:

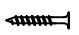




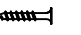


Step8:

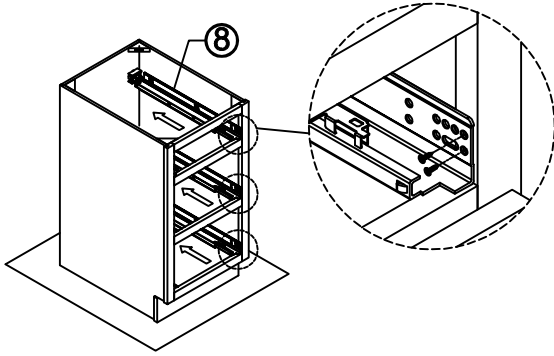




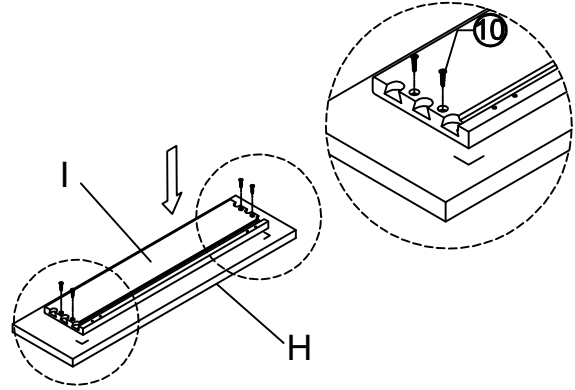
## Base Cabinet Assembly Instruction (Item:DB12-DB36/VDB1221-3-VDB3621-3)

Hard Ware List	1   10PCS   Ø4×25mm	5   16PCS   Ø4×12mm	6   4PCS	8   3SET	9   4PCS   60°60°18	10   12PCS   Ø4×22mm						
	Flat head screw	Flat head screw	Corner brackets	Slide	Corner block	Flat head screw						
												
Cabinet Parts List	A	Frame	B	Side panels(2)	C	Bottom panel	D	Back panel	E	Toe kick	H	Drawer front(3)
	I	Drawer front panel (3)	J	Drawer back panel (3)	K	Drawer side panel(6)	L	Drawer bottom panel (3)				

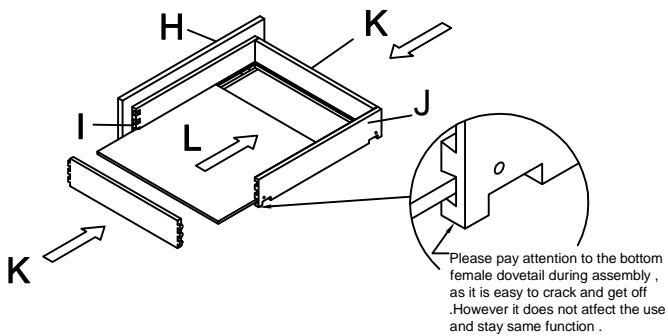
Step9:



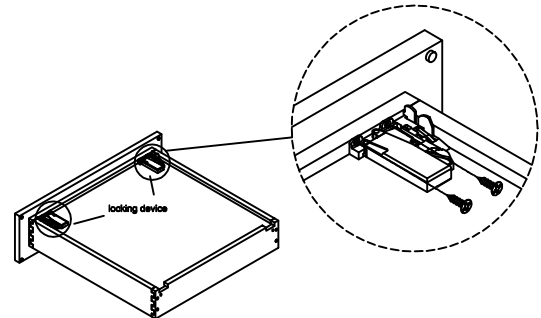
Step10:



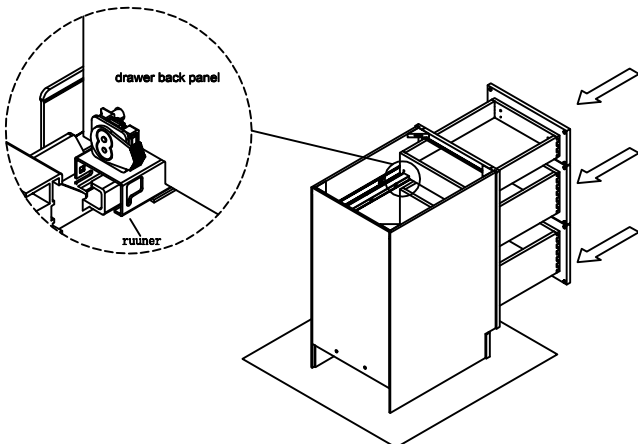
Step11:



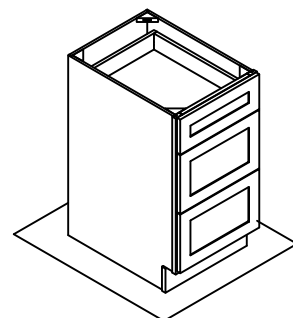
Step12:



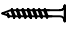





Step13:



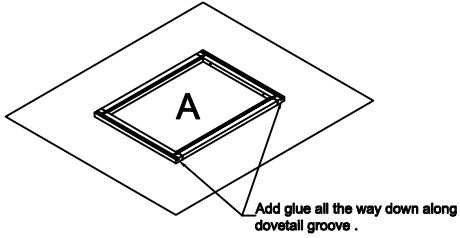
Step14:



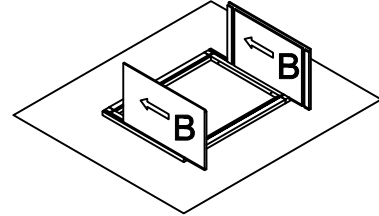
## Wall Cabinet Assembly Instruction (Item:W3012-W3612 / W3015-W3615 / W3018-W3618/W3021-W3621)

Hard Ware List	1   4PCS   Ø4×25mm	2   8PCS   Ø4×16mm	3   4PCS   Ø4×19mm	4   4PCS   1-1/4"	5   32PCS   Ø4×12mm	6   8PCS				
	Flat head screw	Flat head screw	Round head screw	Hinge	Flat head screw	Corner brackets				
										
Cabinet Parts List	A	Frame	B	Side panels(2)	C	Top panel & Bottom panel(2)	D	Back panel	E	Door(2)

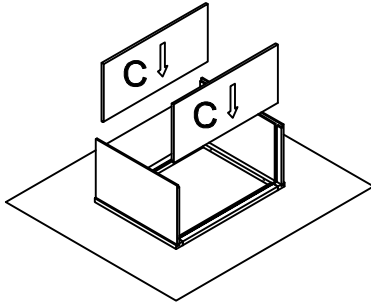
Step1:



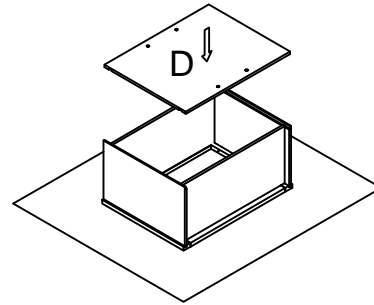
Step2:



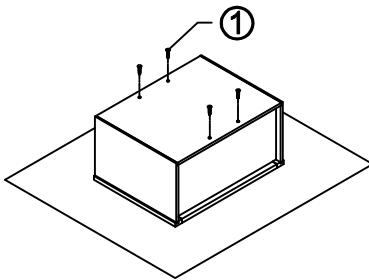
Step3:



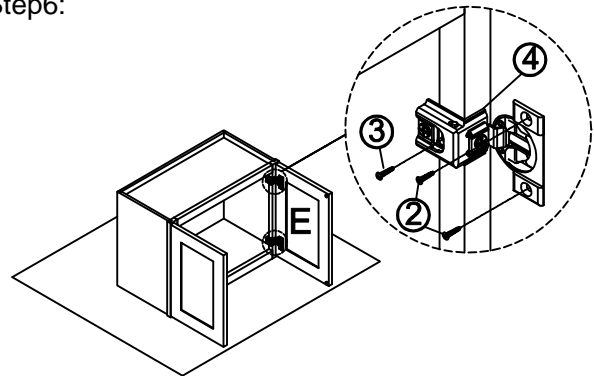
Step4:



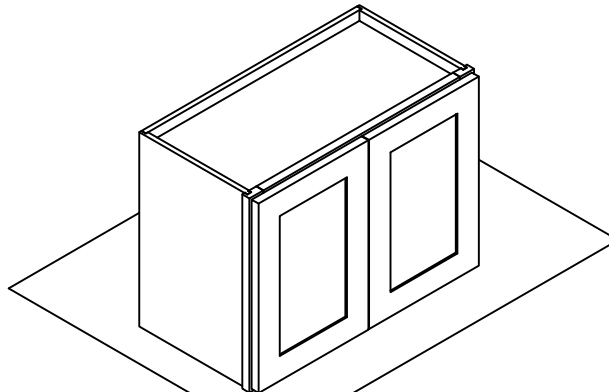
Step5:



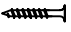





Step6:



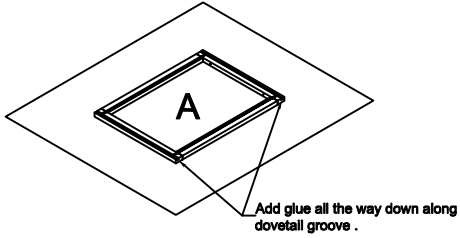
Step7:



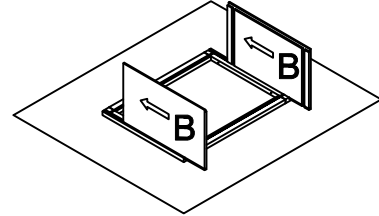
## Wall Cabinet Assembly Instruction (Item:W3012-W3612 / W3015-W3615 / W3018-W3618/W3021-W3621)

Hard Ware List	1   4PCS   Ø4×25mm	2   8PCS   Ø4×16mm	3   4PCS   Ø4×19mm	4   4PCS   1-1/4"	5   32PCS   Ø4×12mm	6   8PCS				
	Flat head screw	Flat head screw	Round head screw	Hinge	Flat head screw	Corner brackets				
										
Cabinet Parts List	A	Frame	B	Side panels(2)	C	Top panel & Bottom panel(2)	D	Back panel	E	Door(2)

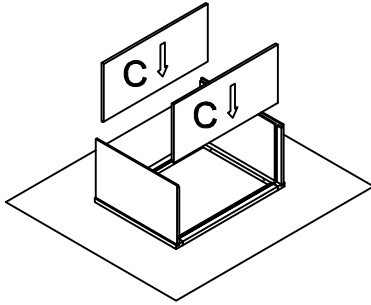
Step1:



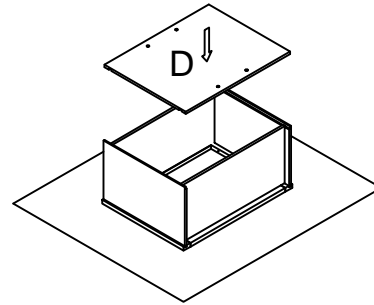
Step2:



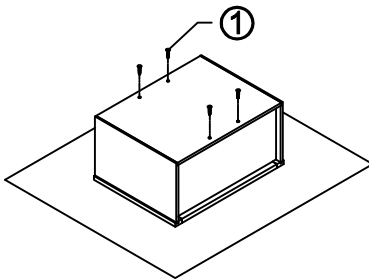
Step3:



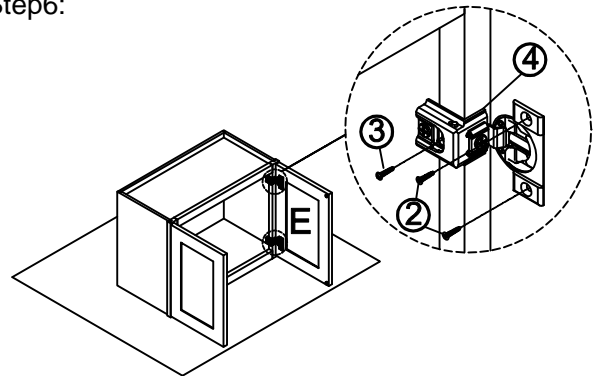
Step4:



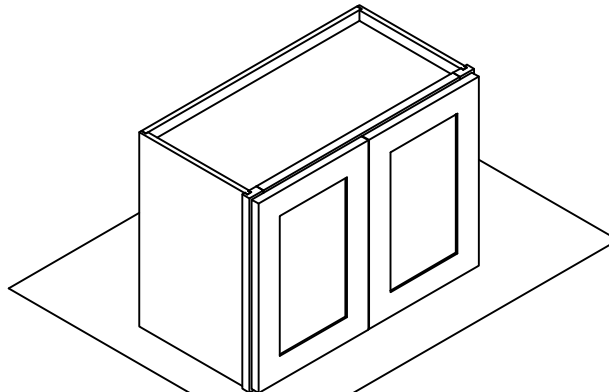
Step5:



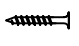






Step6:



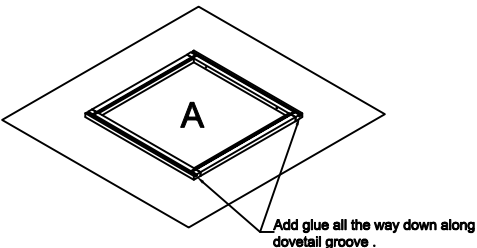
Step7:



## Wall Cabinet Assembly Instruction (Item: W3024, W3624)

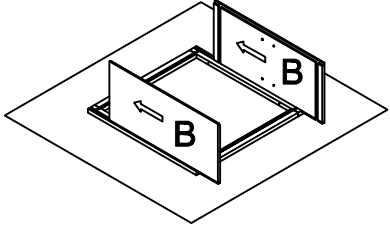
Hard Ware List	1   4PCS   Ø4×25mm	2   8PCS   Ø4×16mm	3   4PCS   Ø4×19mm	4   4PCS   1-1/4"	5   16PCS   Ø4×12mm	6   4PCS	7   4PCS   Ø8mm		
	Flat head screw	Flat head screw	Round head screw	Hinge	Flat head screw	Corner brackets	Shelf clips		
									
Cabinet Parts List	A	Frame	B	Side panels(2)	C	Top panel & Bottom panel(2)		D	Back panel
	E	Adjustable shelf			F	Door(2)			

**Step1:**

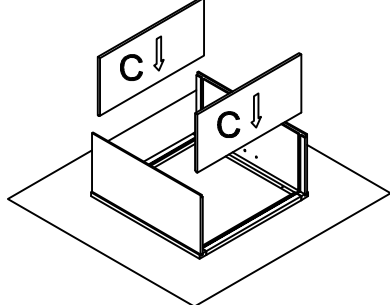


Add glue all the way down along dovetail groove .

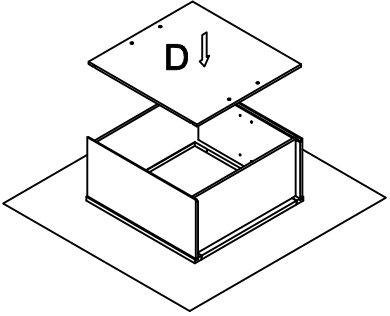
**Step2:**



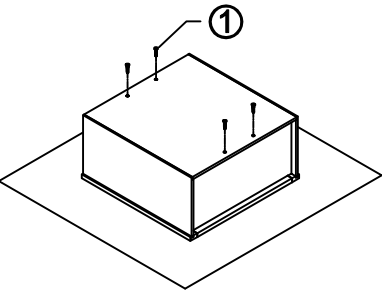
**Step3:**



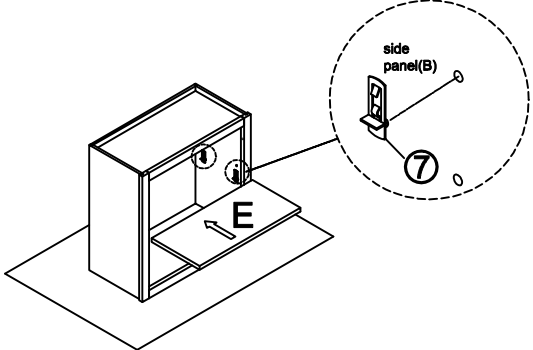
**Step4:**



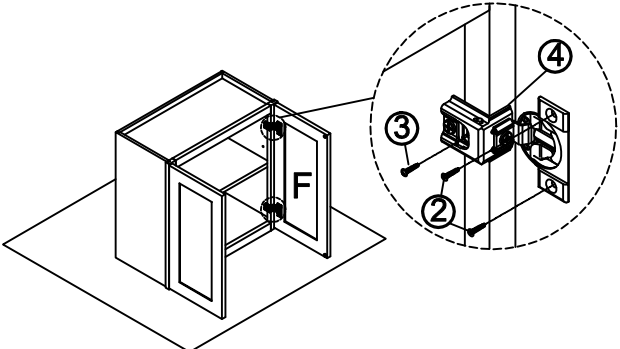
**Step5:**



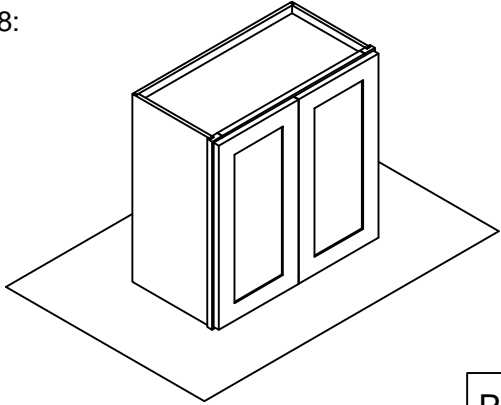
**Step6:**



**Step7:**

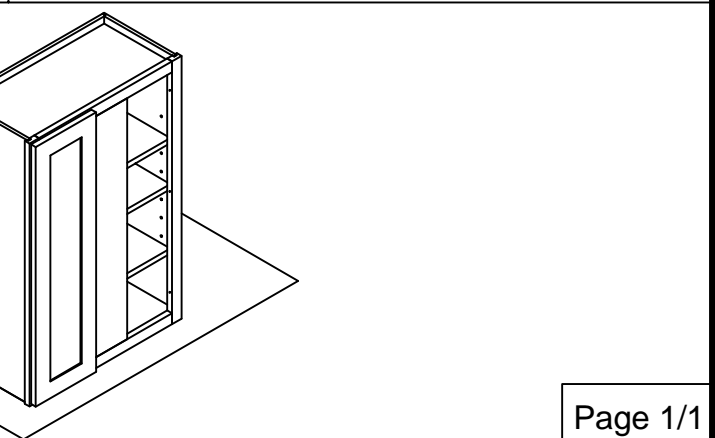
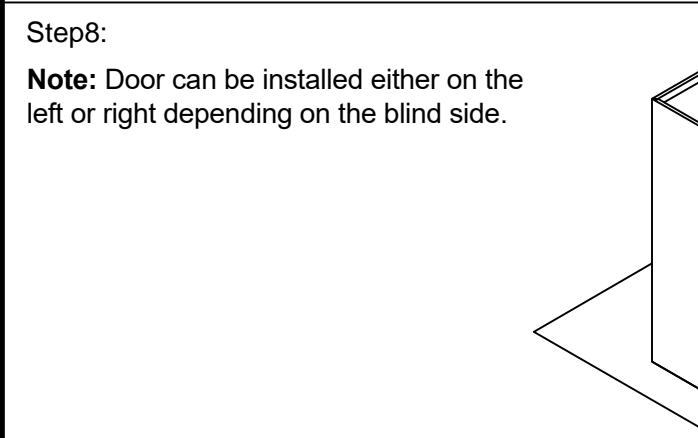
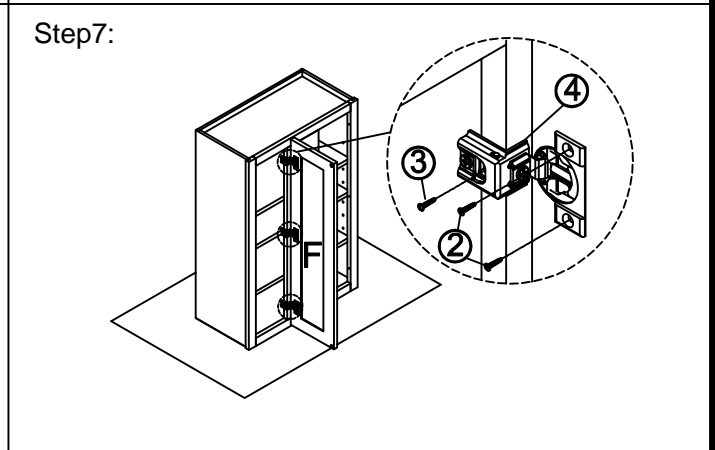
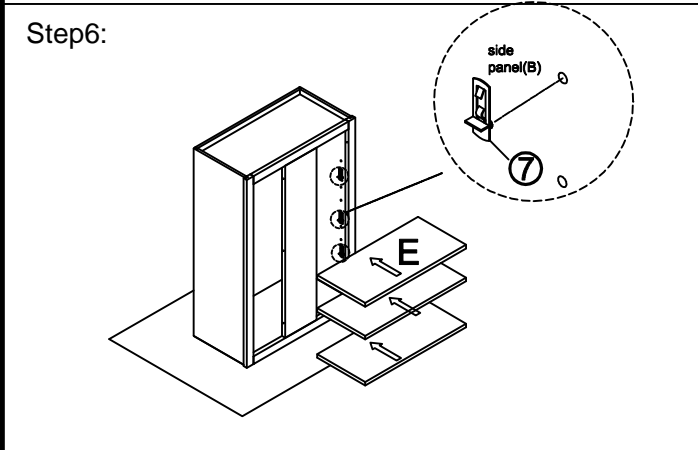
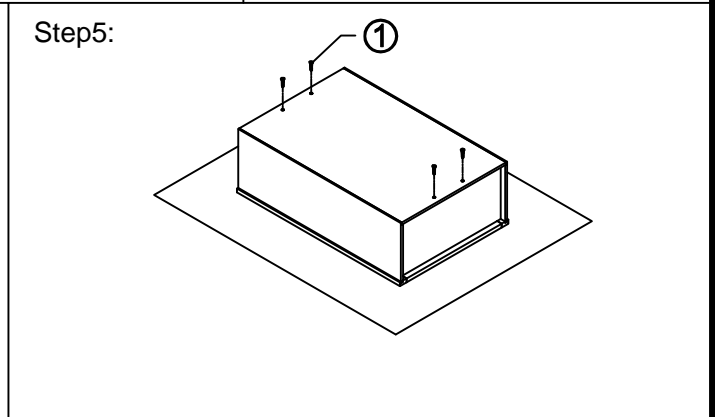
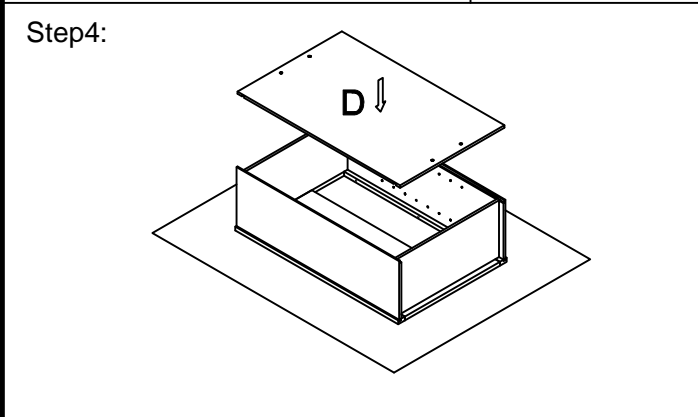
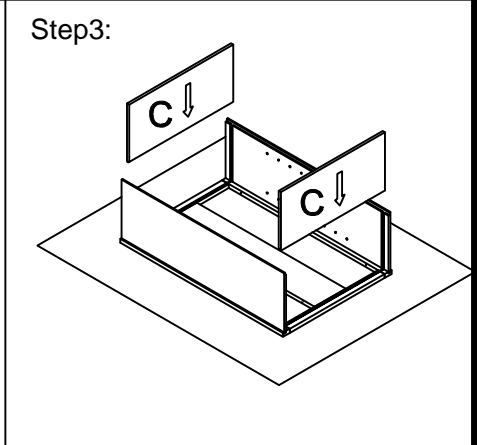
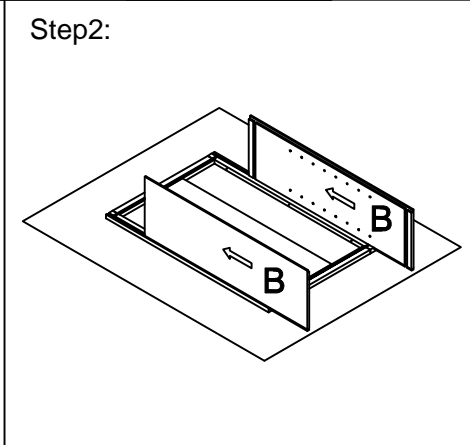
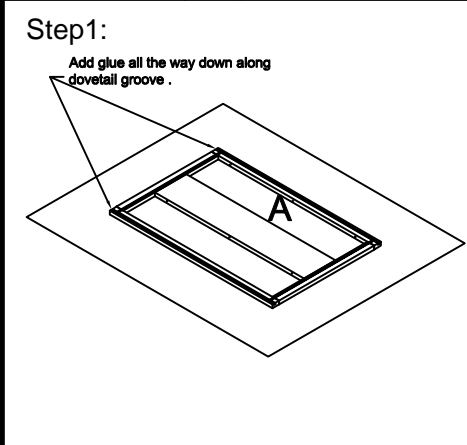


**Step8:**



## Wall Cabinet Assembly Instruction (Item: WBC2742)

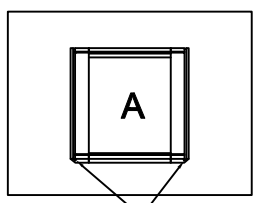
Hard Ware List	1   4PCS   Ø4×25mm	2   6PCS   Ø4×16mm	3   3PCS   Ø4×19mm	4   3PCS   1-1/4"	5   32PCS   Ø4×12mm	6   8PCS	7   12PCS   Ø8mm	
	Flat head screw	Flat head screw	Round head screw	Hinge	Flat head screw	Corner brackets	Shelf clips	
Cabinet Parts List	A	Frame	B	Side panels(2)	C	Top panel & Bottom panel(2)	D	Back panel
	E	Adjustable shelf(3)			F	Door		



## Diagonal Corner Wall Cabinet Assembly Instruction (Item:WDC2430/WDC2436)

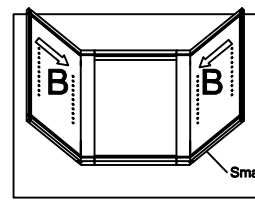
Hard Ware List	1   10PCS   Ø4×25mm	2   4PCS   Ø4×16mm	3   2PCS   Ø4×19mm	4   2PCS   1/2"	5   48PCS   Ø4×12mm	6   4PCS	6   8PCS	7   16PCS   Ø8mm	
	Flat head screw	Flat head screw	Round head screw	Hinge	Flat head screw	Corner brackets	Corner brackets	Shelf clips	
Cabinet Parts List	A	Frame	B	Side panels(4)	C	Top panel & Bottom panel(2)		D	Back panel
	E	Adjustable shelf(2)			F	Door			

**Step1:**



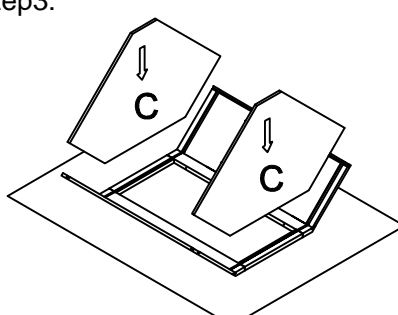
Add glue all the way down along dovetail groove .

**Step2:**

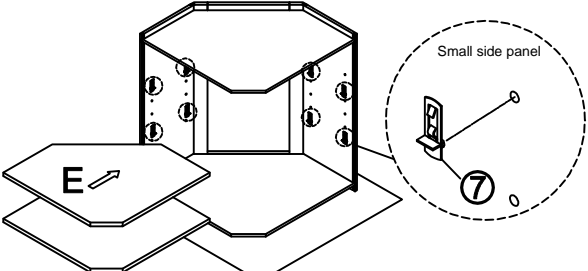


Small side panel

**Step3:**



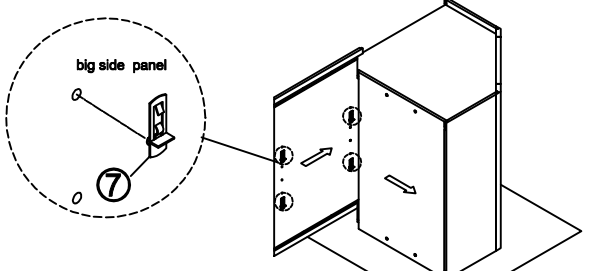
**Step4:**



Small side panel

7

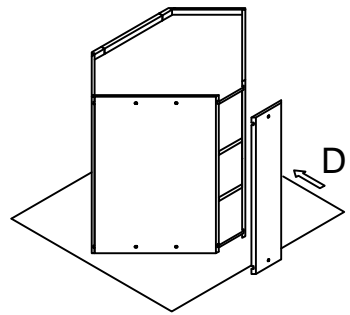
**Step5:**



big side panel

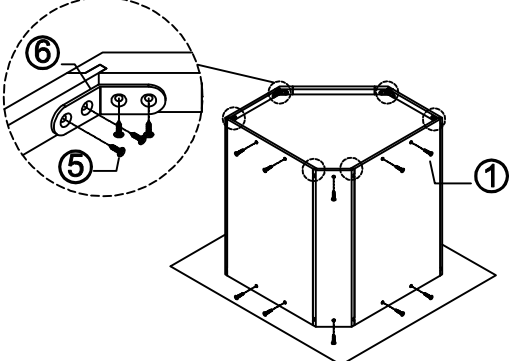
7

**Step6:**



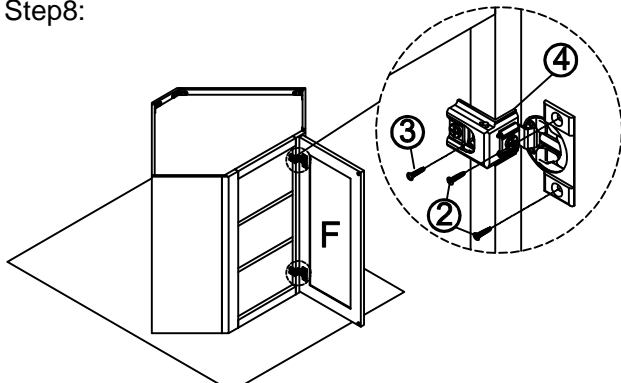
D

**Step7:**



1

**Step8:**



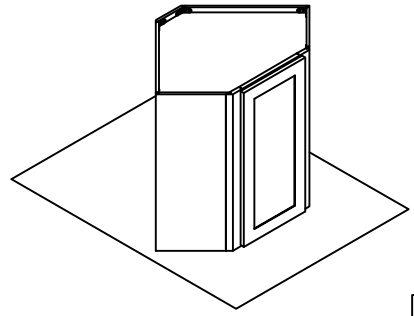
F

3

2

4

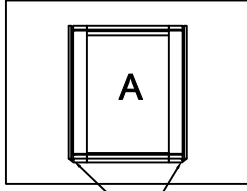
**Step9:**



## Diagonal Corner Wall Cabinet Assembly Instruction (Item:WDC2442)

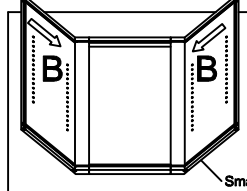
Hard Ware List	1   10PCS   Ø4×25mm	2   6PCS   Ø4×16mm	3   3PCS   Ø4×19mm	4   3PCS   1/2"	5   48PCS   Ø4×12mm	6   4PCS	6   8PCS	7   24PCS   Ø8mm	
	Flat head screw	Flat head screw	Round head screw	Hinge	Flat head screw	Corner brackets	Corner brackets	Shelf clips	
Cabinet Parts List	A	Frame	B	Side panels(4)	C	Top panel & Bottom panel(2)		D	Back panel
	E	Adjustable shelf(3)			F	Door			

**Step1:**



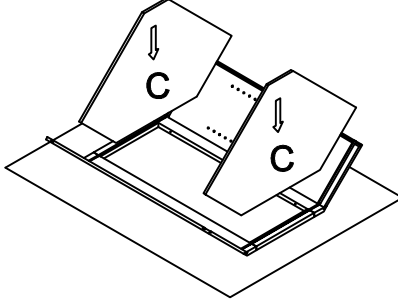
Add glue all the way down along dovetail groove .

**Step2:**

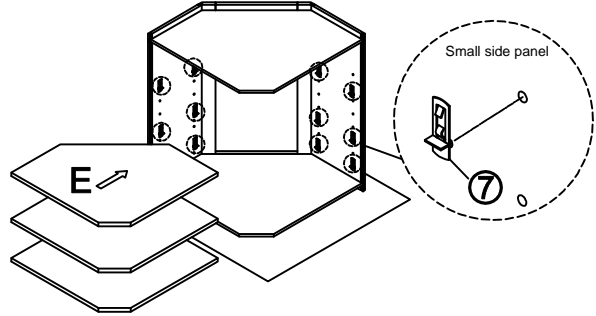


Small side panel

**Step3:**

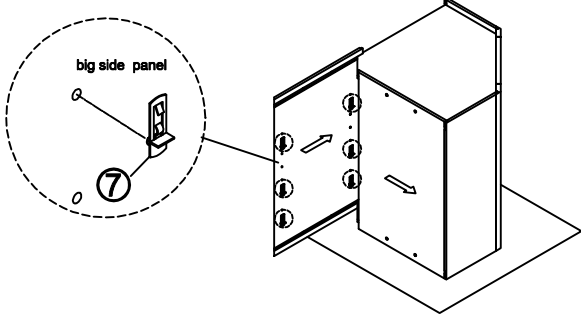


**Step4:**



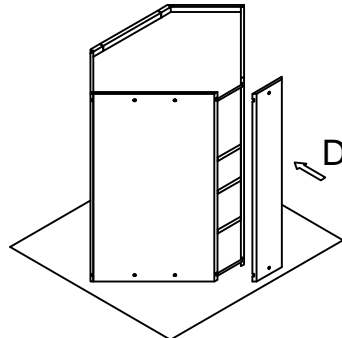
Small side panel

**Step5:**

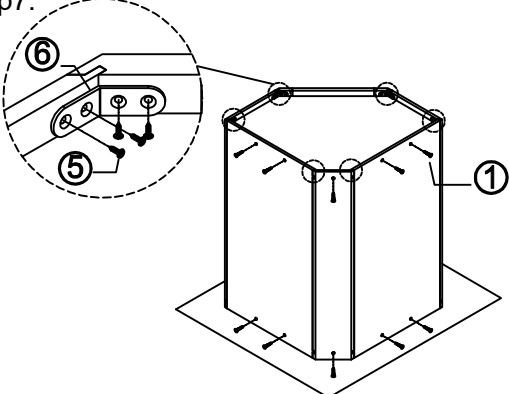


big side panel

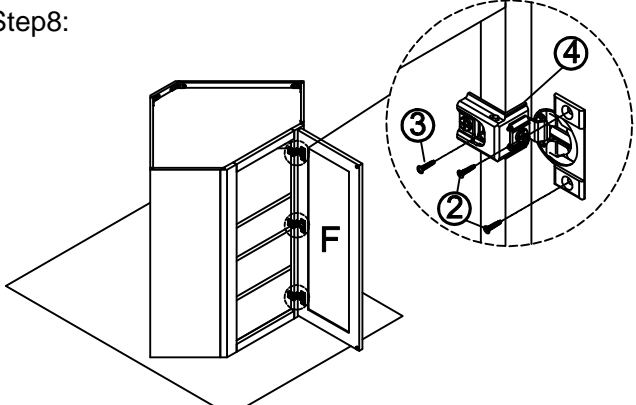
**Step6:**



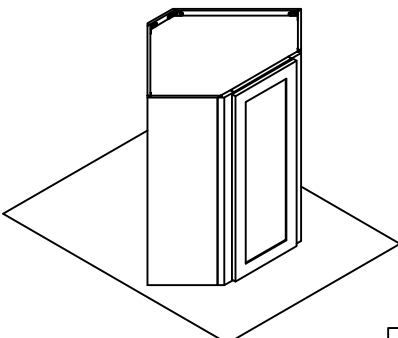
**Step7:**



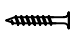





**Step8:**



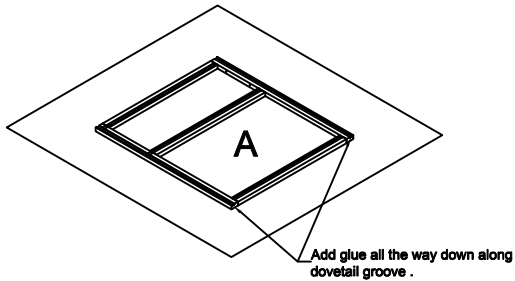
**Step9:**



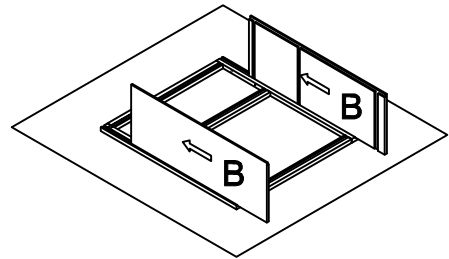
## Wall Cabinet Assembly Instruction (Item:WMC2730/WMC2736/WMC2742)

Hard Ware List	1   6PCS   Ø4×25mm	2   8PCS   Ø4×16mm	3   4PCS   Ø4×19mm	4   4PCS   1-1/4"	5   16PCS   Ø4×12mm	6   4PCS						
	Flat head screw	Flat head screw	Round head screw	Hinge	Flat head screw	Corner brackets						
												
Cabinet Parts List	A	Frame	B	Side panels(2)	C	Top panel	D	Fixed shelf	E	Bottom panel	G	Door(2)
											F	Back panel

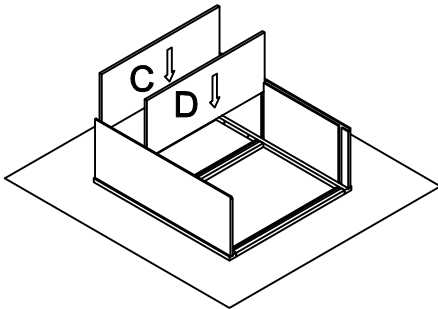
Step1:



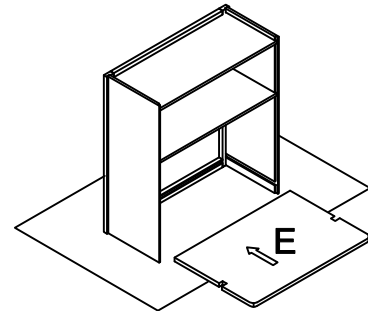
Step2:



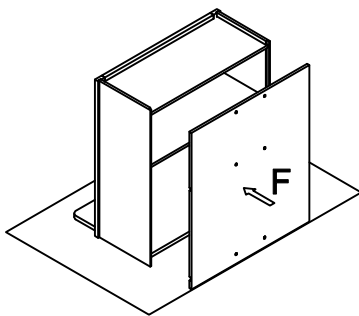
Step3:



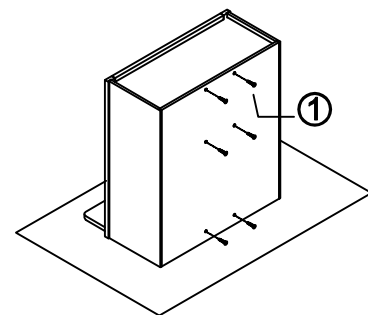
Step4:



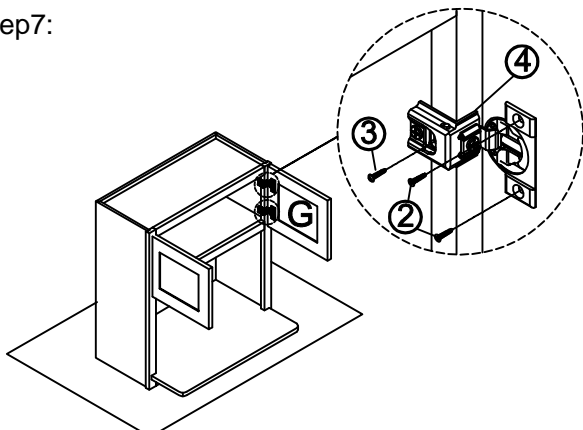
Step5:



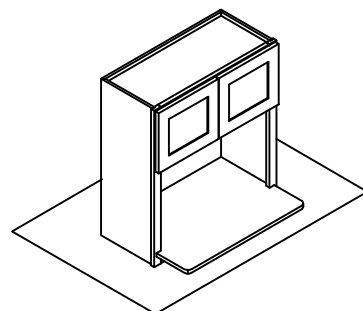
Step5:



Step7:

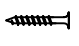






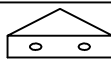
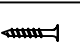


Step8:



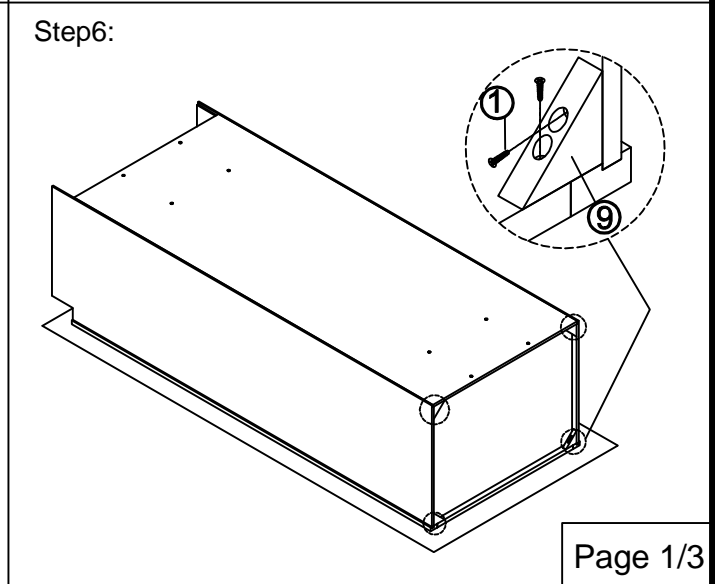
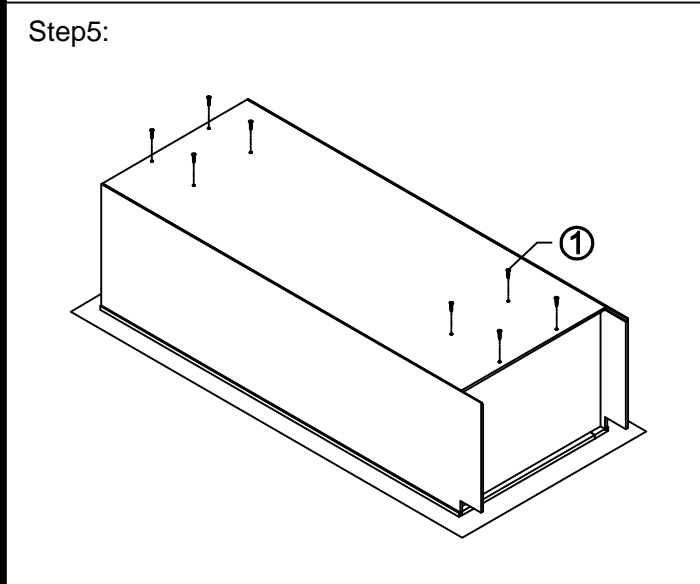
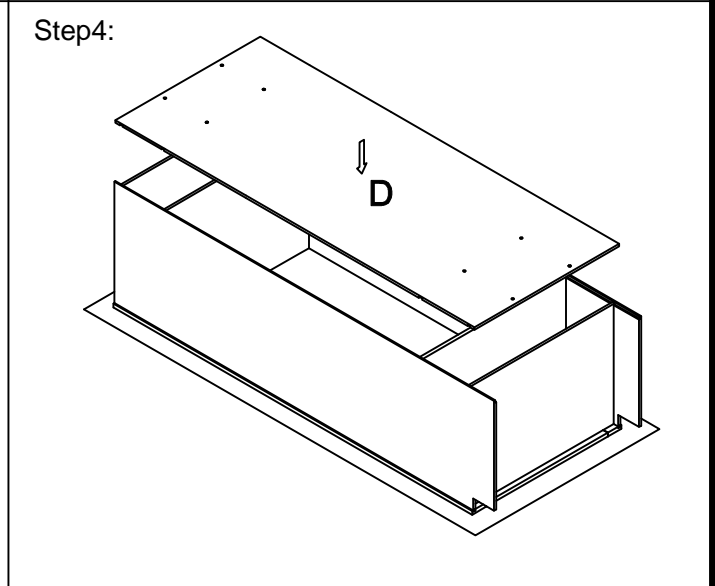
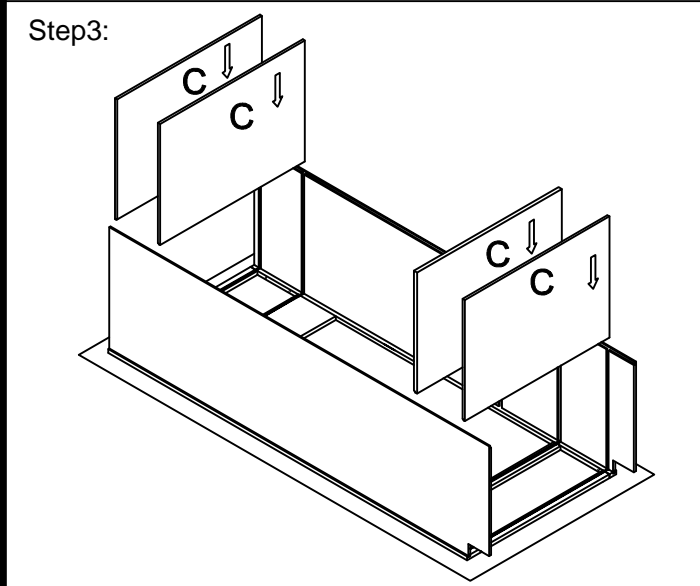
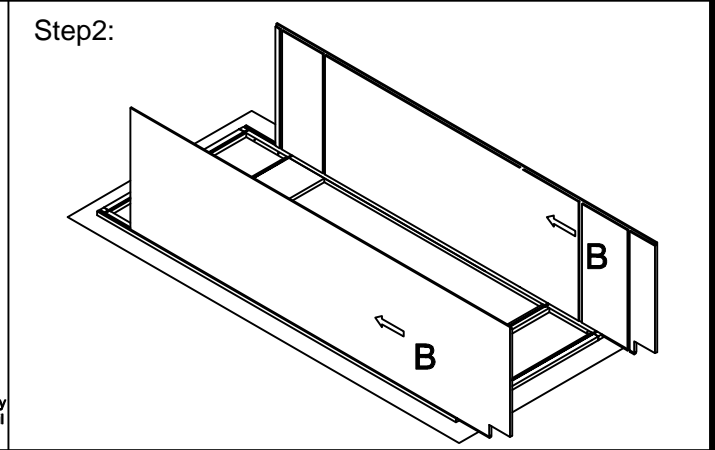
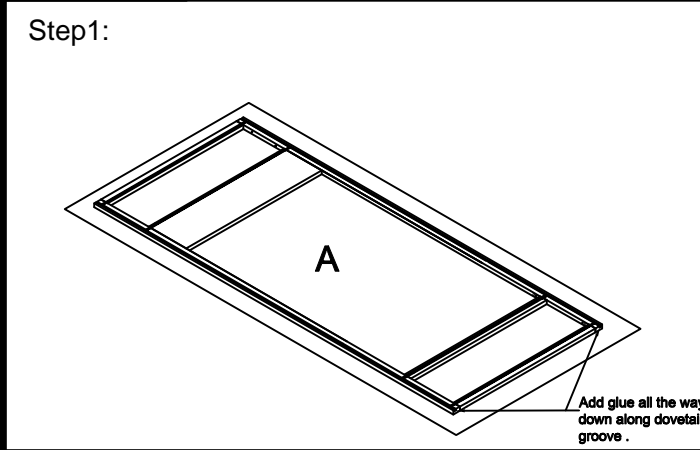


# Oven Cabinet Assembly Instruction (Item:OC3184)

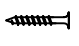






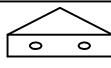
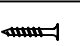
Hard Ware List	1   16PCS   Ø4×25mm	2   8PCS   Ø4×16mm	3   4PCS   Ø4×19mm	4   4PCS   1-1/4"	5   16PCS   Ø4×12mm	6   4PCS	8   1SET
	Flat head screw	Flat head screw	Round head screw	Hinge	Flat head screw	Corner brackets	Slide
							
	9   4PCS   60°60°18	10   6PCS   Ø4×22mm					
	Corner block	Flat head screw					
							

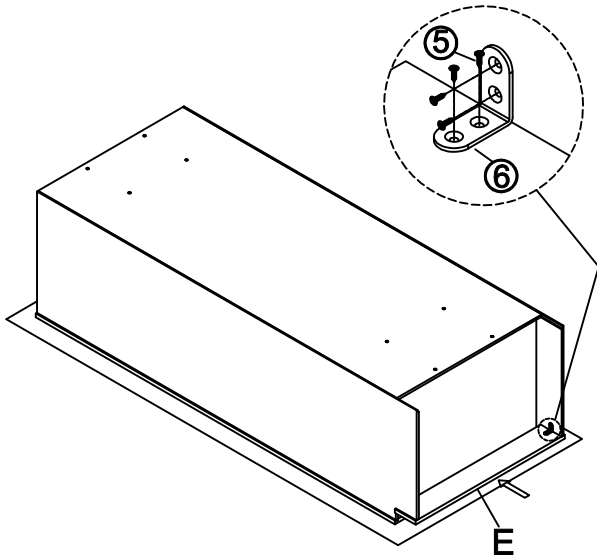
Cabinet Parts List	A	Frame	B	Side panels(2)	C	Top panel & Bottom panel(4)	D	Back panel	E	Toe kick	
	G	Door(2)	H	Drawer front(1)	I	Drawer front panel(1)	J	Drawer back panel(1)	K	Drawer side panel(2)	L



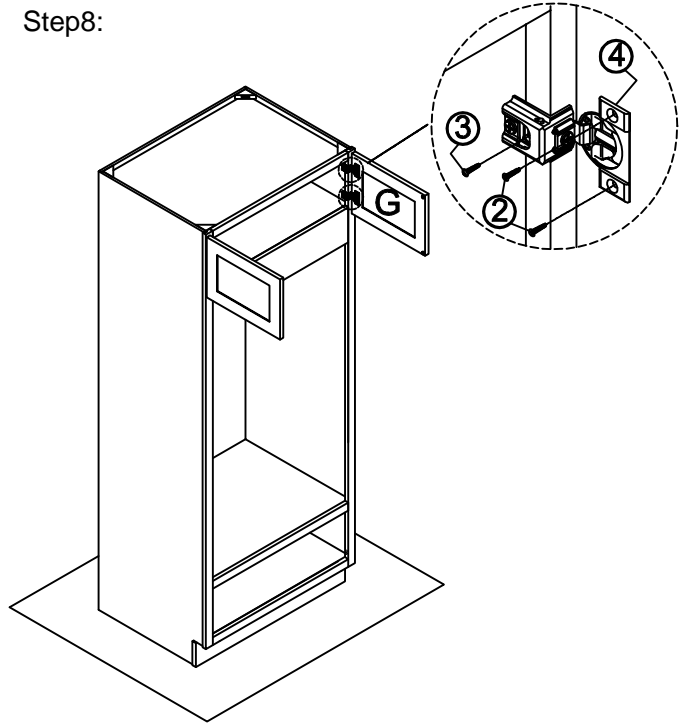
## Oven Cabinet Assembly Instruction (Item:OC3184)

Hard Ware List	1   16PCS   Ø4×25mm	2   8PCS   Ø4×16mm	3   4PCS   Ø4×19mm	4   4PCS   1-1/4"	5   16PCS   Ø4×12mm	6   4PCS	8   1SET				
	Flat head screw	Flat head screw	Round head screw	Hinge	Flat head screw	Corner brackets	Slide				
											
Cabinet Parts List	9   4PCS   60°60°18	10   6PCS   Ø4×22mm									
	Corner block	Flat head screw									
											
A	Frame	B	Side panels(2)	C	Top panel & Bottom panel(4)		D	Back panel	E	Toe kick	
G	Door(2)	H	Drawer front(1)	I	Drawer front panel(1)	J	Drawer back panel(1)	K	Drawer side panel(2)	L	Drawer bottom panel(1)

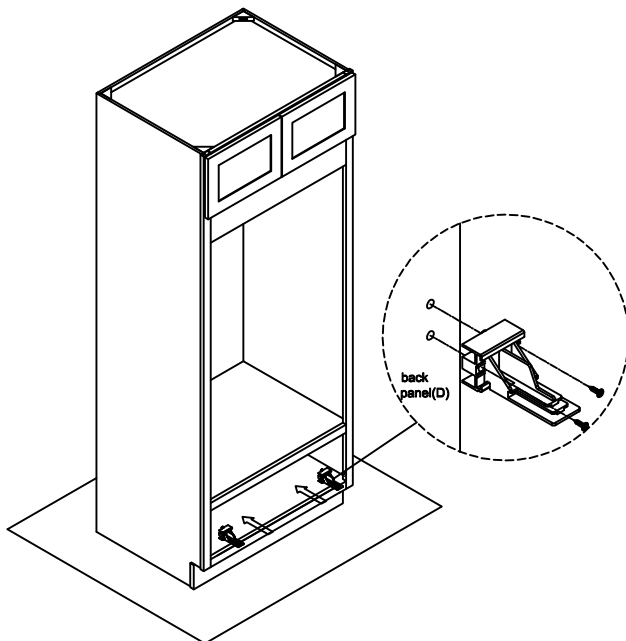
Step7:



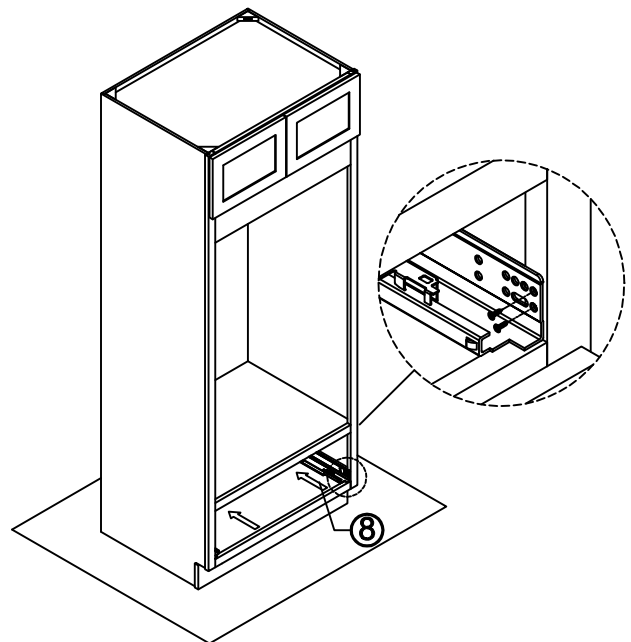
Step8:



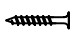




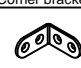

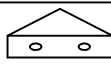
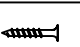
Step9:



Step10:



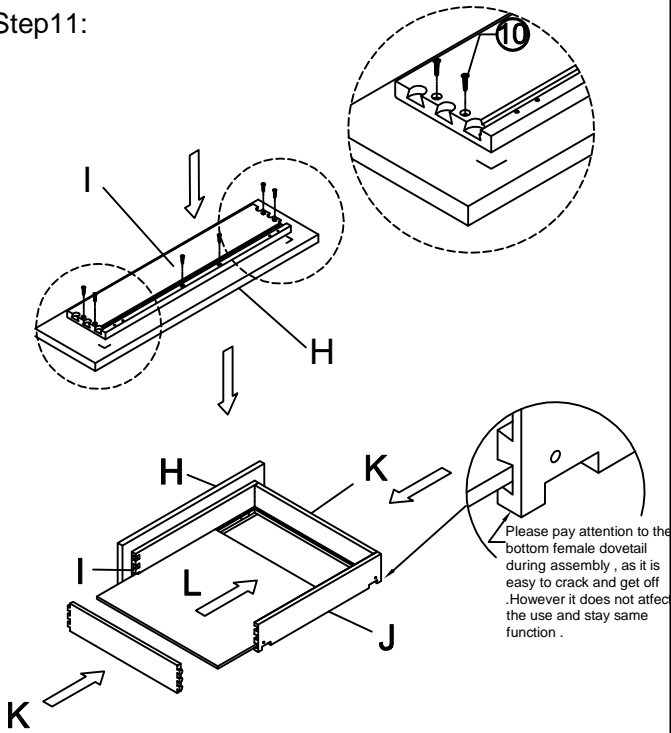
## Oven Cabinet Assembly Instruction (Item:OC3184)

Hard Ware List	1   16PCS   Ø4×25mm	2   8PCS   Ø4×16mm	3   4PCS   Ø4×19mm	4   4PCS   1-1/4"	5   16PCS   Ø4×12mm	6   4PCS	8   1SET
	Flat head screw	Flat head screw	Round head screw	Hinge	Flat head screw	Corner brackets	Slide
							
	9   4PCS   60°60°18	10   6PCS   Ø4×22mm					
	Corner block	Flat head screw					
							

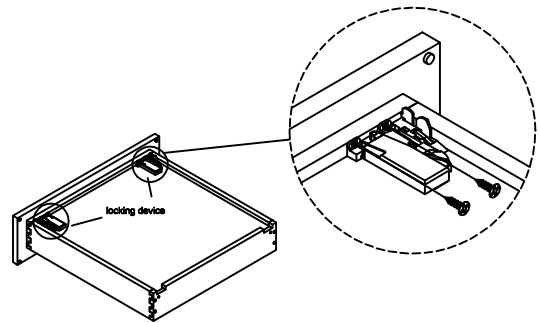
  

Cabinet Parts List	A	Frame	B	Side panels(2)	C	Top panel & Bottom panel(4)		D	Back panel	E	Toe kick
	G	Door(2)	H	Drawer front(1)	I	Drawer front panel(1)	J	Drawer back panel(1)	K	Drawer side panel(2)	L

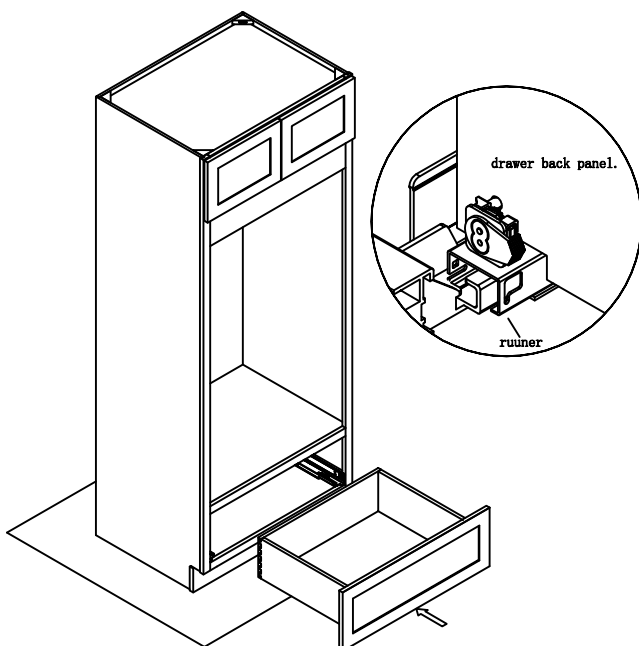
### Step11:



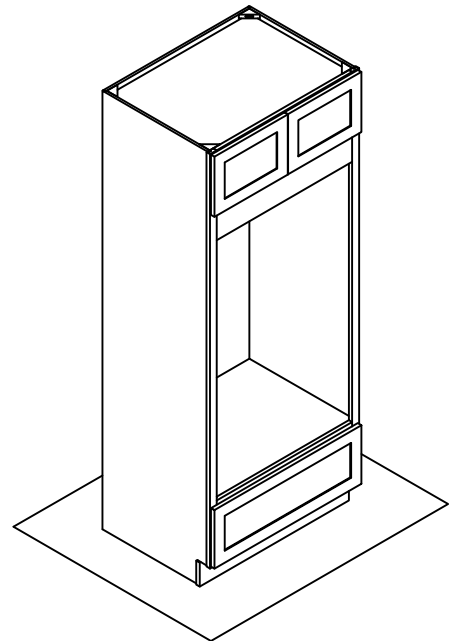
### Step12:



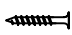








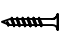
### Step13:



### Step14:

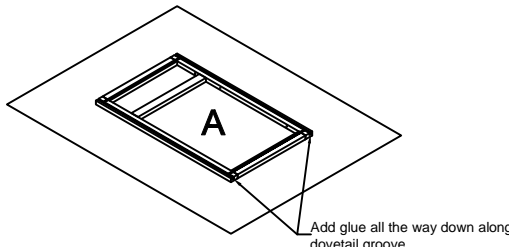


## Base Cabinet Assembly Instruction (Item: B09-B21)

Hard Ware List	1   10PCS   Ø4×25mm	2   4PCS   Ø4×16mm	3   2PCS   Ø4×19mm	4   2PCS   1-1/4"	5   32PCS   Ø4×12mm	6   8PCS	7   4PCS   Ø8mm	8   1SET
	Flat head screw	Flat head screw	Round head screw	Hinge	Flat head screw	Corner brackets	Shelf clips	Side
								
9   4PCS   60°60°18	10   6PCS   Ø4×22mm							
Corner block	Flat head screw							
								

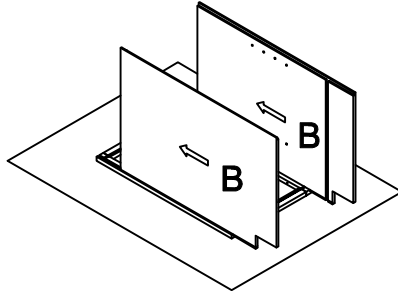
Cabinet Parts List	A	Frame	B	Side panels(2)	C	Bottom panel	D	Back panel	E	Toe kick	F	Adjustable shelf
	G	Door	H	Drawer front	I	Drawer front panel	J	Drawer back panel	K	Drawer side panel(2)	L	Drawer bottom panel

**Step1:**

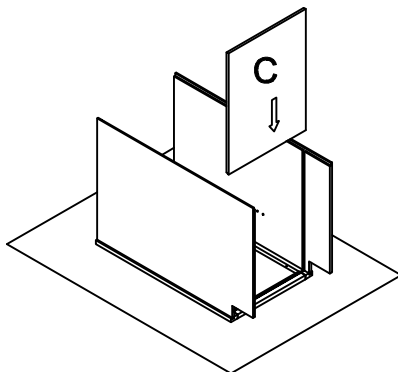


Add glue all the way down along dovetail groove .

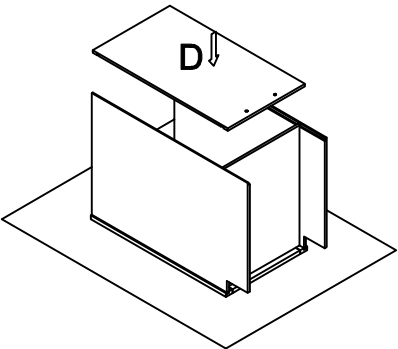
**Step2:**



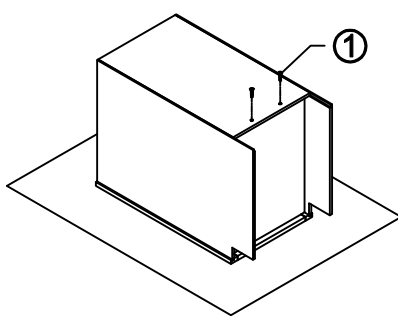
**Step3:**



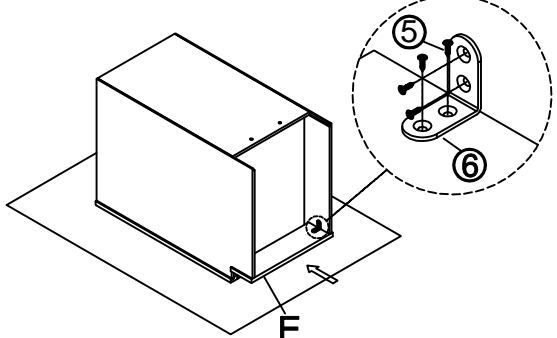
**Step4:**



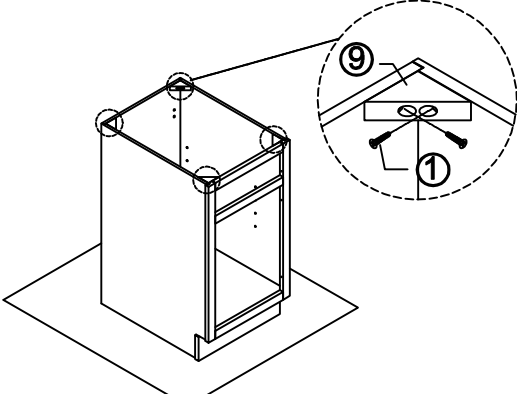
**Step5:**



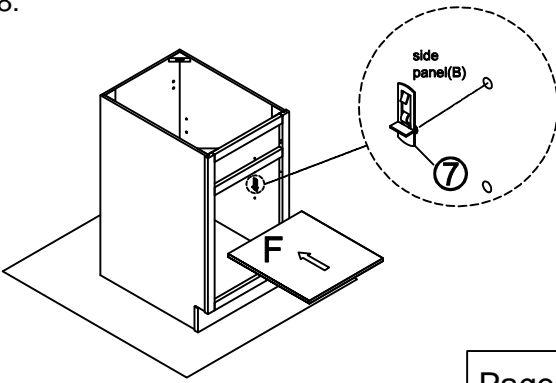
**Step6:**



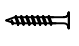








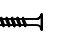
**Step7:**



**Step8:**



## Base Cabinet Assembly Instruction (Item: B09-B21)

Hard Ware List	1   10PCS   Ø4×25mm	2   4PCS   Ø4×16mm	3   2PCS   Ø4×19mm	4   2PCS   1-1/4"	5   16PCS   Ø4×12mm	6   4PCS	7   4PCS   Ø8mm	8   1SET
	Flat head screw	Flat head screw	Round head screw	Hinge	Flat head screw	Corner brackets	Shelf clips	Side
								
	9   4PCS   60°60°18	10   4PCS   Ø4×22mm						
	Corner block	Flat head screw						
								

Cabinet Parts List	A	Frame	B	Side panels(2)	C	Bottom panel	D	Back panel	E	Toe kick	F	Adjustable shelf
	G	Door	H	Drawer front	I	Drawer front panel	J	Drawer back panel	K	Drawer side panel(2)	L	Drawer bottom panel

